

MIRROR INSTALLATION GUIDE

Recommended Tools:

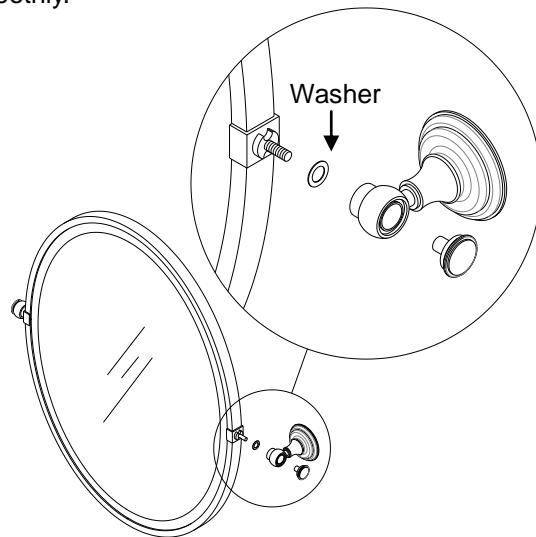
- Drill
- Level
- Hammer
- Pencil
- Phillips head screwdriver
- Safety Glasses

BEFORE YOU BEGIN **** IMPORTANT ****

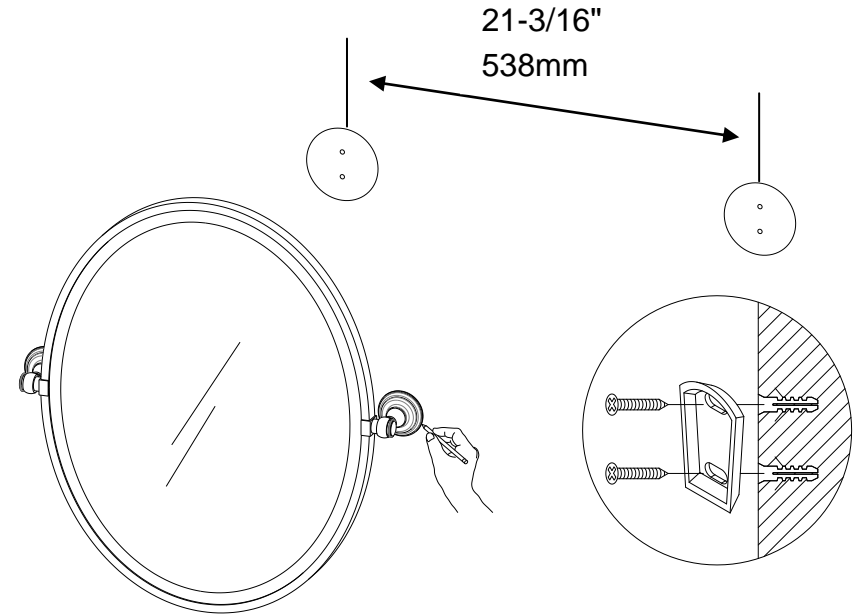
- 1) Professional installation by two-person crew is required for this fixture
- 2) We do recommend installing wood blocking inside your wall to add support to your mirror. If you choose not to insert wood blocking, you will need to use heavy duty anchors (such as steel or toggles).

INSTALLATION STEP

- 1) Set the washer and holder onto mirror. Tighten the knurling knob till the mirror move smoothly.



- 2) With one person on either side of mirror, carefully position the mirror in desired location. Use a pencil mark position of wall flange on wall.
- 3) Position the brackets in center of flange on wall, use a pencil mark holes for screw.
- 4) Drill holes on wall and push anchors flush with wall, screw the bracket. Use level to make sure both brackets are in straight.



- 5) Attach the mirror onto brackets, tighten the set screw underneath to secure.

