

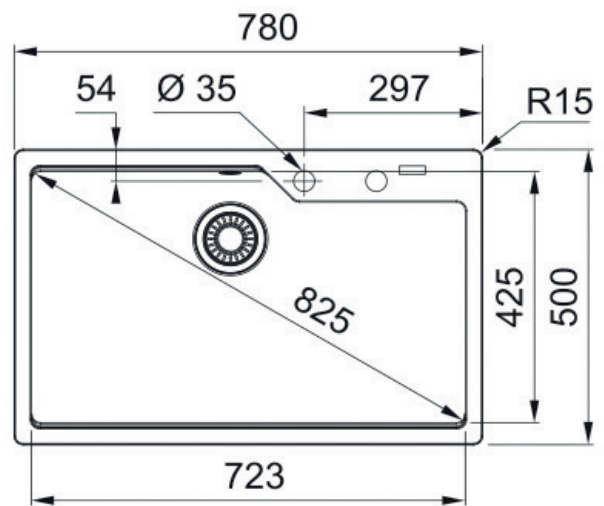
# UBG 210-78 SG URBAN FRAGRANITE SINK



**NOTE:** Flushmount installation requires the minimum benchtop thickness to be 20mm and a 9mm deep recess into the benchtop



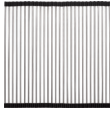


## PRODUCT INFORMATION

<b>Installation</b>	Topmount/Flushmount
<b>Dimensions</b>	780(W) x 500(H)mm
<b>Cabinet Base</b>	800mm
<b>Bowl Size</b>	723(W) x 425(H) x 230(D)mm/67L
<b>Bowl Radius</b>	15mm
<b>Cut-Out Size</b>	744 x 464mm, cr=15
<b>Cut-Out Template</b>	No
<b>Waste Outlet</b>	Semi Integrated Waste
<b>Overflow</b>	Yes
<b>Tap Holes</b>	ø35mm
<b>Remote Waste</b>	No
<b>Finish</b>	Frangrinite



**1** ACCESSORIES AVAILABLE **1** ACCESSORIES INCLUDED

## ACCESSORIES

- |   |   |   |   |   |
|---|---|---|---|---|
| <b>1</b><br> | <b>2</b><br> | <b>3</b><br> | <b>4</b><br> | <b>5</b><br> |
| <b>DT 651</b><br>Extension Drainer  | <b>SB 950</b><br>Strainer Bowl  | <b>RM 44</b><br>Rollamat  | <b>DB 664</b><br>Drainer Basket   | <b>CB 750</b><br>Chopping Board   |

LAST UPDATED: 15 NOV 2019