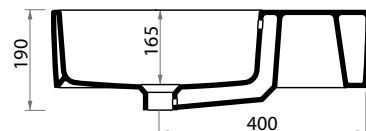
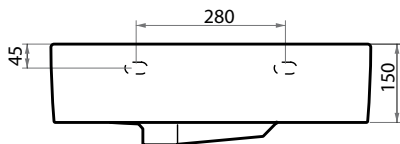
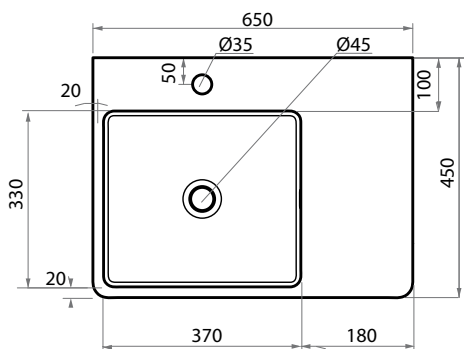


Quasar 65 Wall Basin with RH Shelf

Product Code: SMQU650R/S (NTH), SMQU651R/S (1TH)

The Quasar basin with right hand shelf combines smooth, thin wide planes with soft rounded corners. Timeless and yet with a clear presence, Quasar is also a delight to use with a generously proportioned bowl made possible by the narrow tap landing. Designed by PARISI in conjunction with Simas.



Specifications

Colour / Finish	—	White / Gloss
Material	—	Vitreous China
Bowl Capacity	—	15L to Overflow
Tap Holes	—	0 or 1
Overflow	—	Overflow on the same side as the shelf
Waste Outlet	—	32mm Overflow/ Plug & Waste to be ordered separately (TA3240 or TA4032)
W x D x H	—	650 x 450 x 150mm
Warranty	—	10 years
Options	—	Left hand shelf (SMQU601L/S)
Fixings	—	Wall fixing bolts supplied (WFB100)