

Talis E
Single lever basin mixer 110 without waste set
 Surfaces: **chrome** Article Number: **71712003**



Description

product features

- ComfortZone 110
- projection 112 mm
- flow rate: 5 l/min
- ceramic cartridge
- temperature limitation adjustable
- without waste set
- suitable for continuous flow water heaters
- connection dimension: DN15

Technology



Design awards



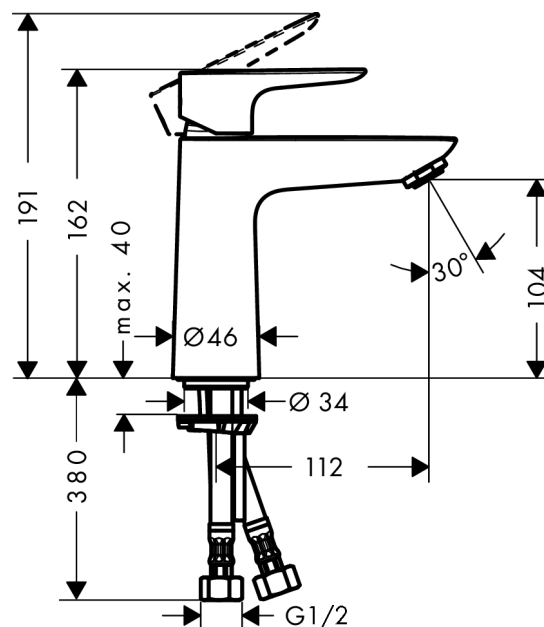
WELS 5 STAR
 5 litres per minute

15 YEAR WARRANTY

Product image



Scale drawing



Flowchart

