

# 4602 PAPER HOLDER TYPE 2

4600 Series Premium Collection

Wall Fixings Supplied:  
**Masonry**



**Code:** 4602POLS

**Finish:** Polished

GRADE 304 Stainless Steel



**Code:** 4602BRSH

**Finish:** Brushed

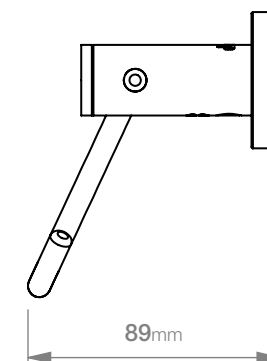
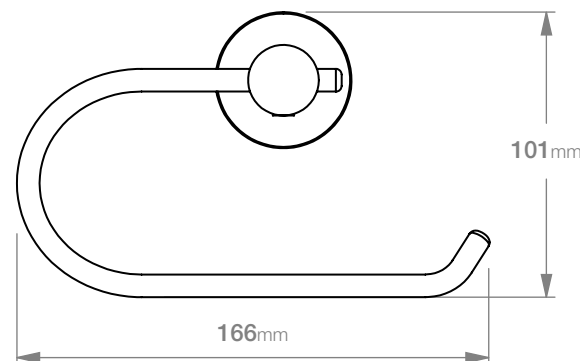
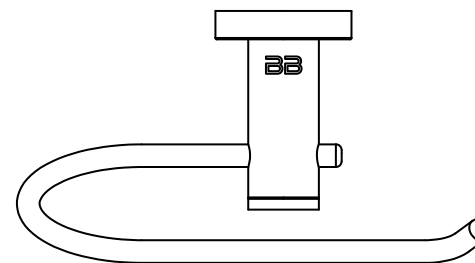
GRADE 304 Stainless Steel

Dimensions given are in **mm**.

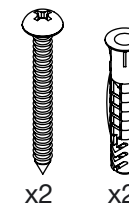
Bathroom Butler® reserves the right to alter and/or remove designs from time to time without prior notice.

This drawing is to be used for reference purposes only. E &O.E.

Copyright Bathroom Butler® 2019



Original UX Fischer® supplied,  
phased in from June 2015.



**BB**™ BATHROOM  
BUTLER



USA: 631.464.2851 • info@bathroombutler.com • www.bathroombutler.com  
South Africa: 0860 104 653 • info@bathroombutler.co.za • www.bathroombutler.co.za  
Australia: 1300 133 320 • sales@bathe.net.au • www.bathe.net.au  
Mauritius: 230 242 1248 • sales@lisinggroup.com • www.bathroombutler.com

Document version **2.3**  
Product version **2.1**