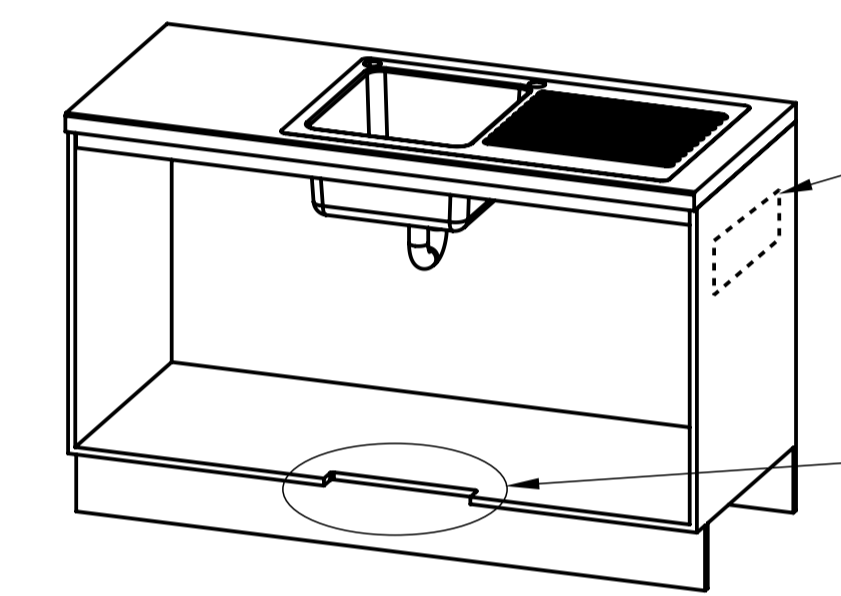
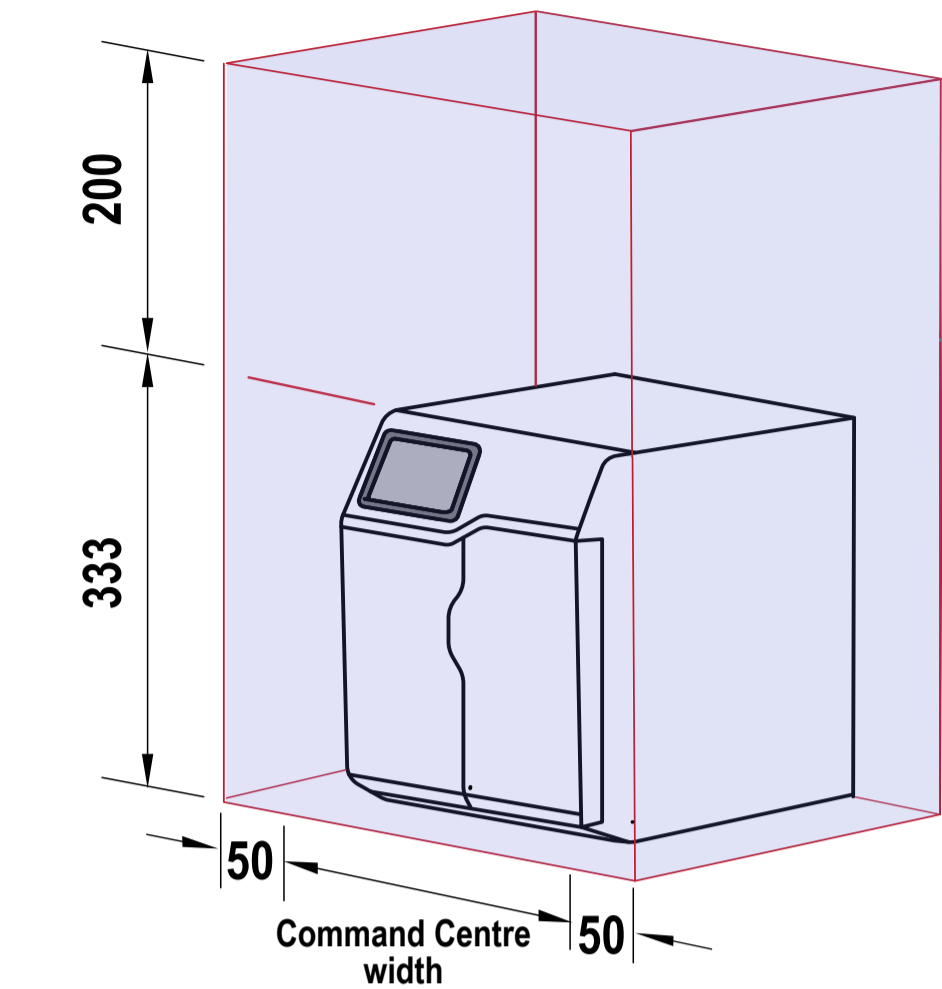


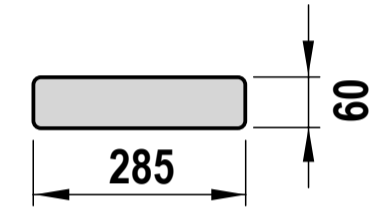
Ventilation requirements Contact your local service provider if ventilation is not suitable

Clearance envelope

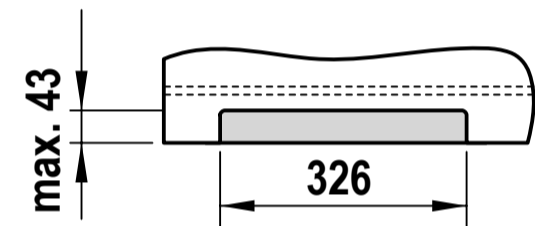
Position the Tap and the Command Centre as close together as possible.



Air outlet louvre (if required)
Cut-out in door/wall, towards the top of the cabinet

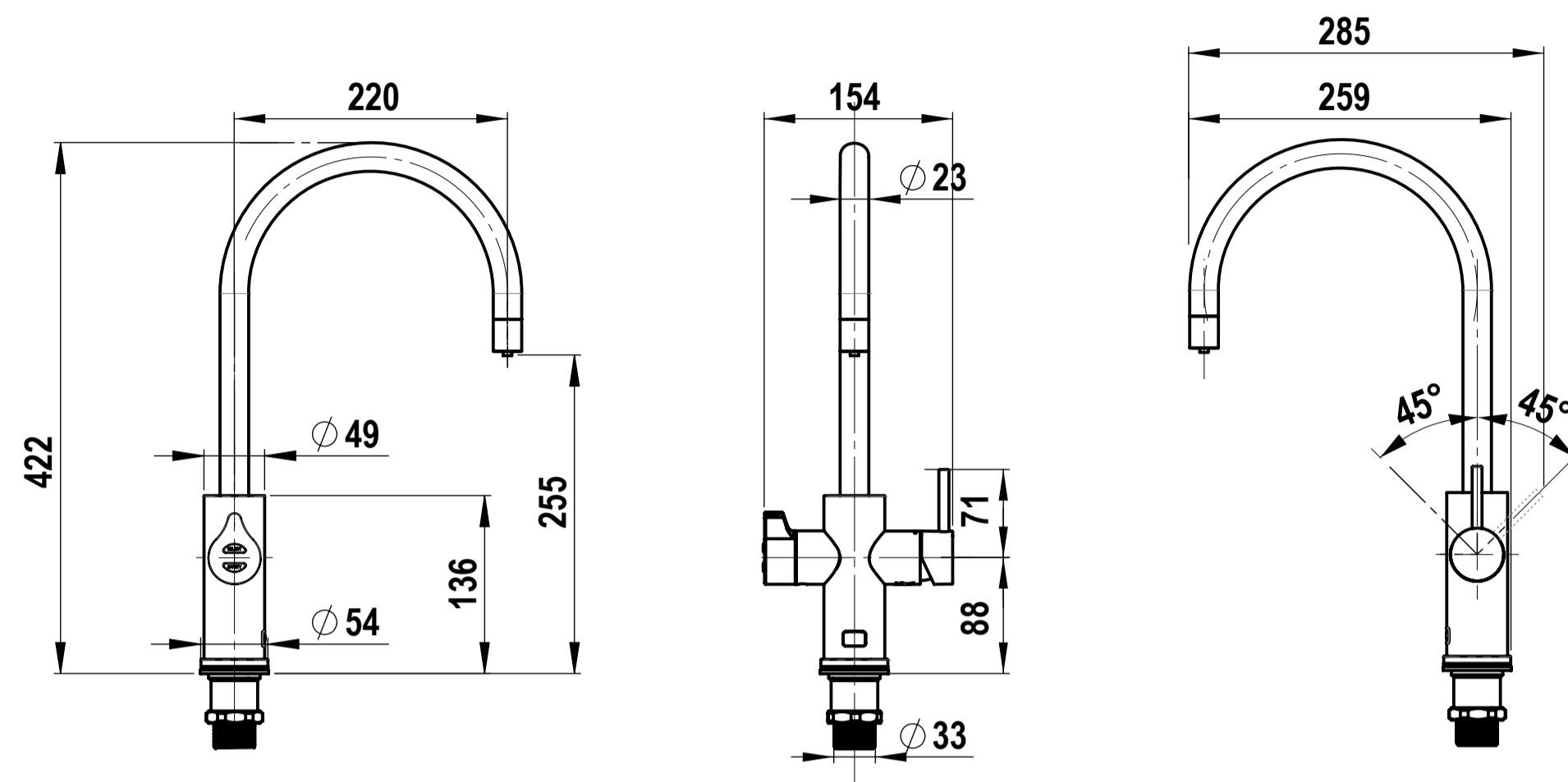


Air inlet cut-out (required)
Cut-out in cabinet floor

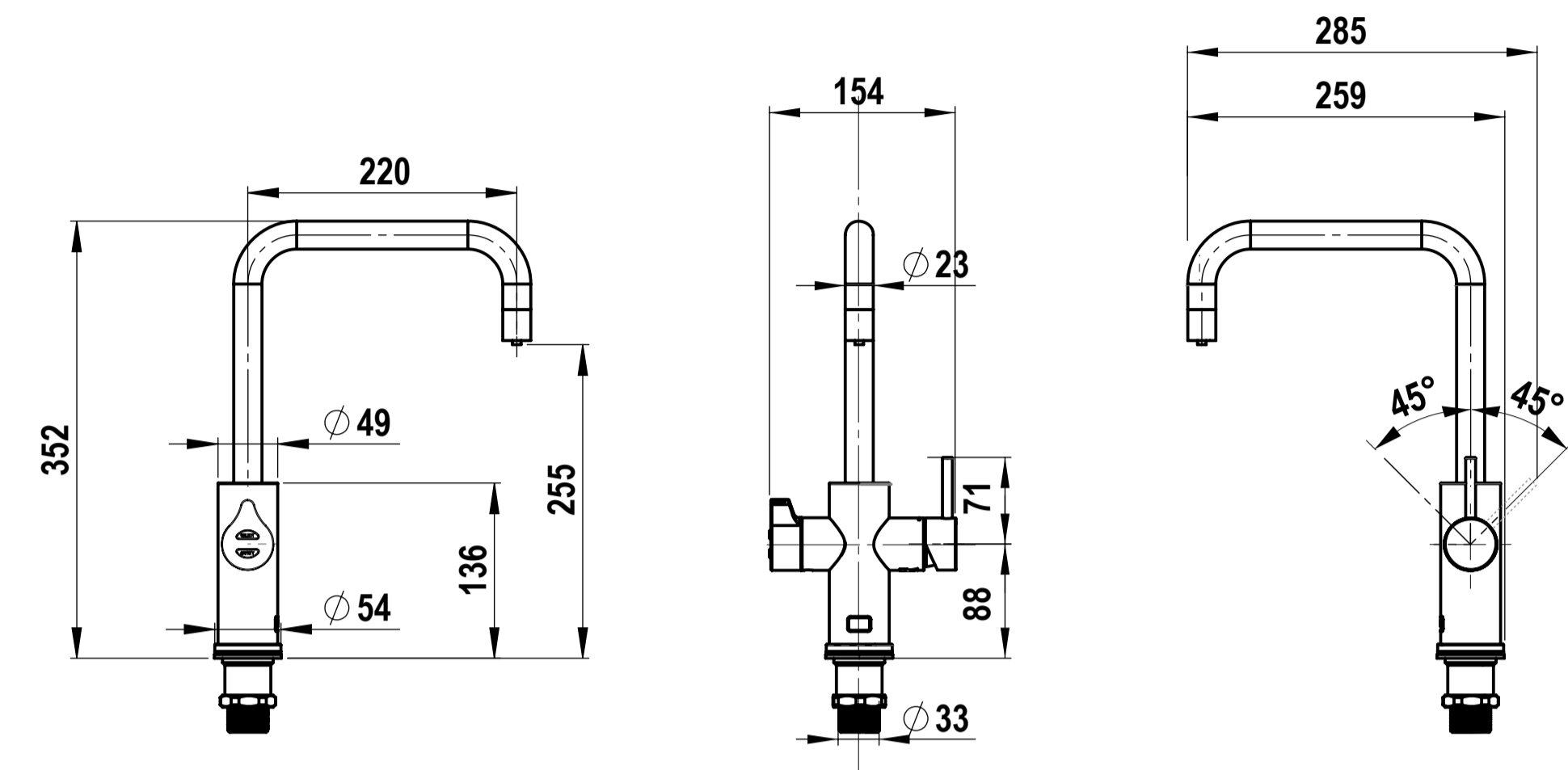


HydroTap Tap options

Celsius Arc Tap

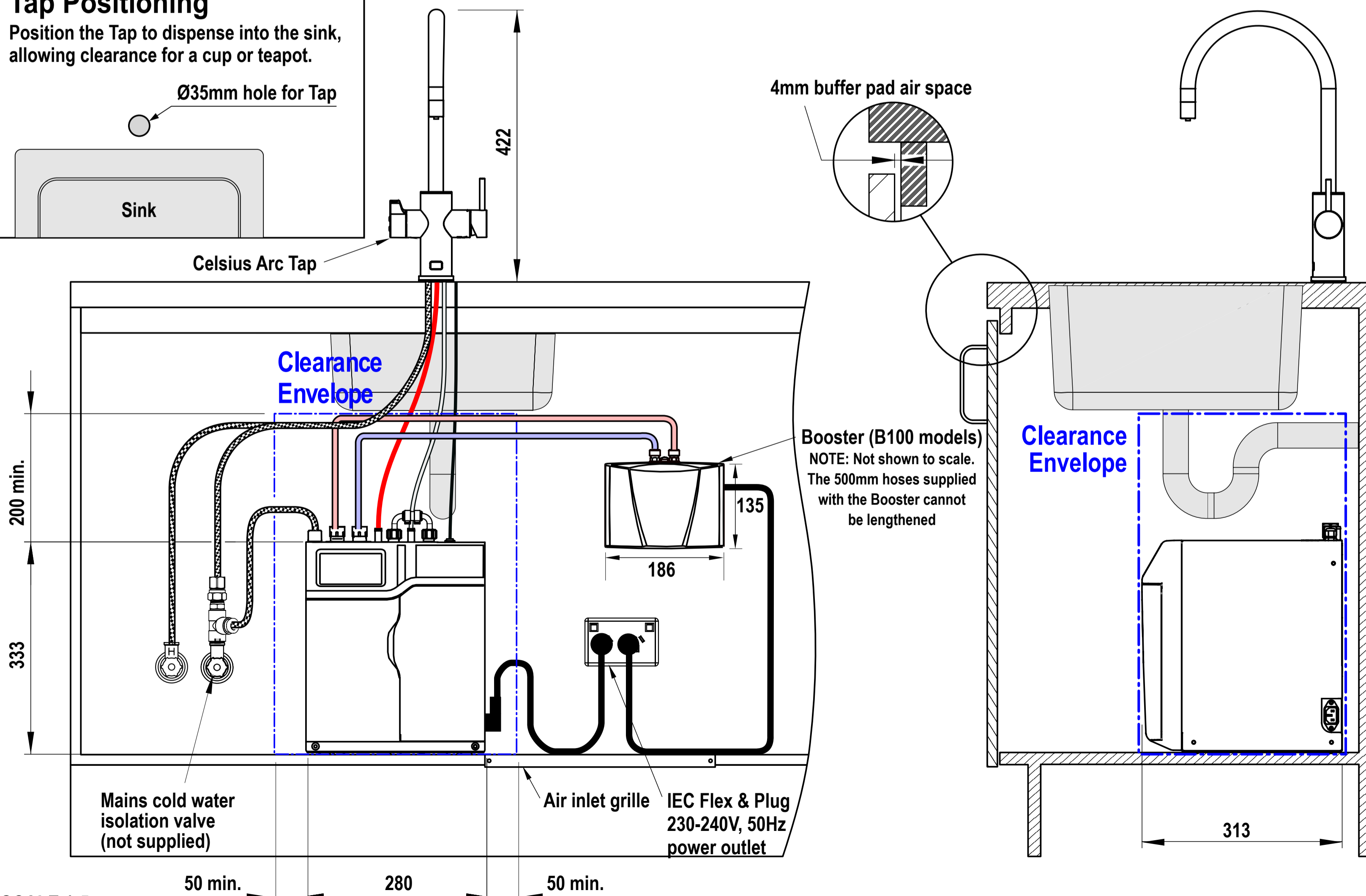
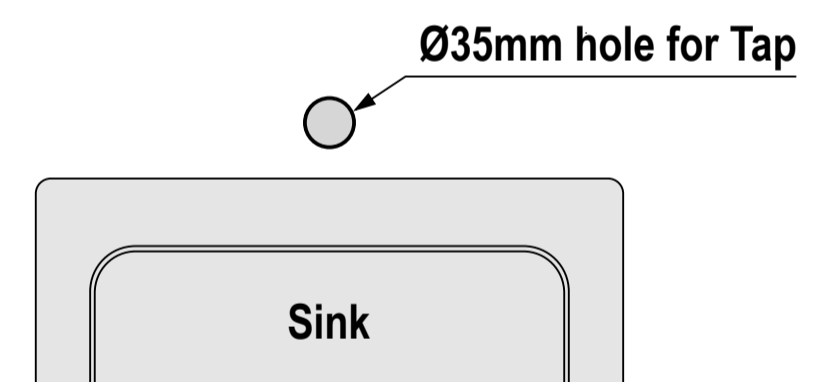


Celsius Cube Tap



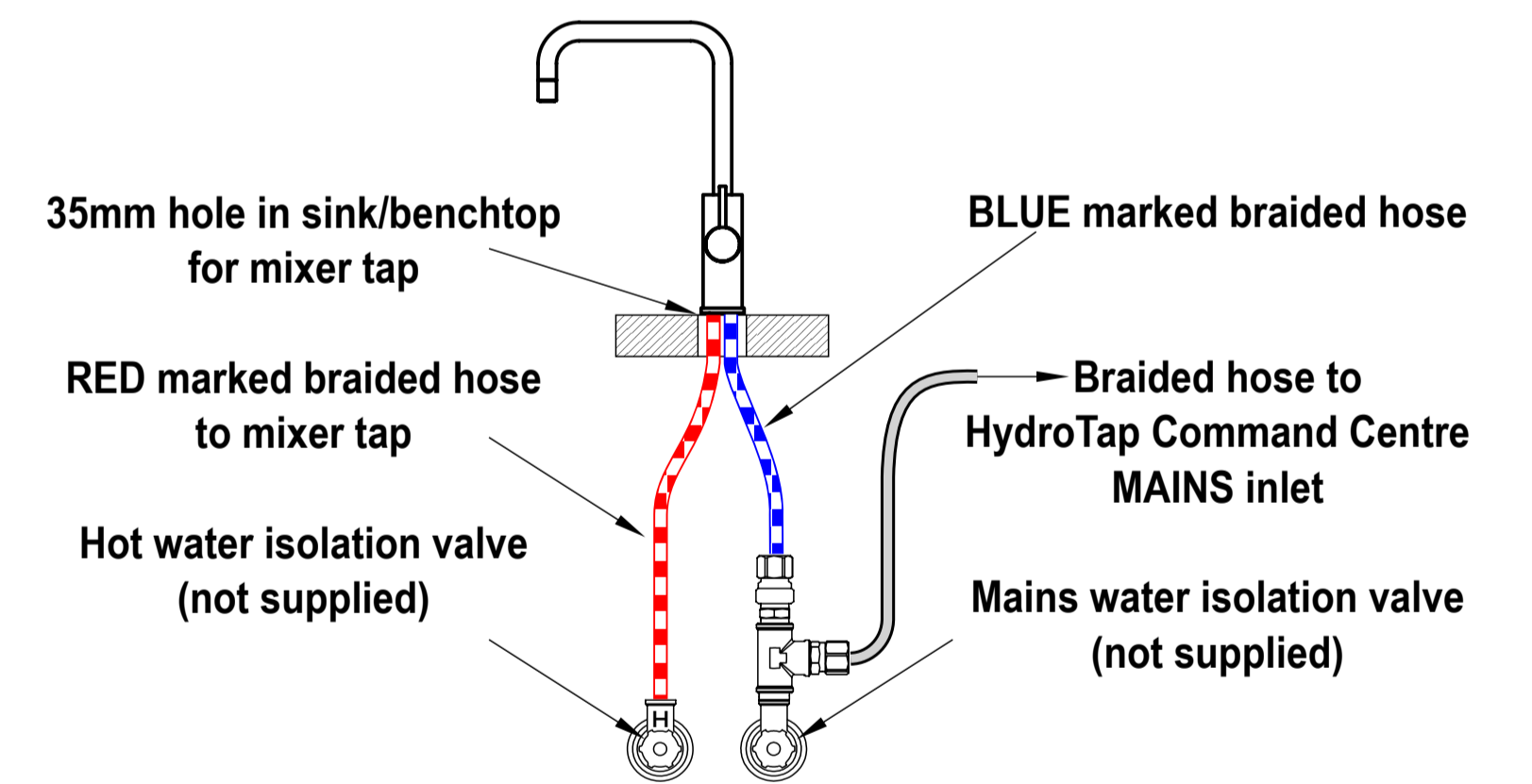
Tap Positioning

Position the Tap to dispense into the sink, allowing clearance for a cup or teapot.



Mains hot water supply installation

Hot and cold water supply required



**HydroTap G5
B Home, B60, B100**

shown with Celsius Arc Tap