

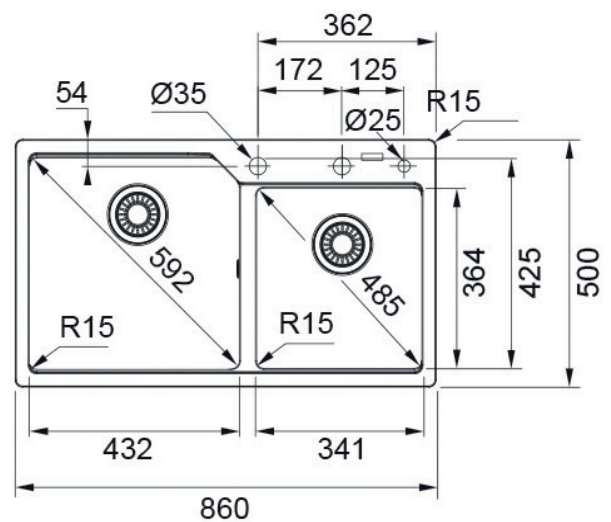
UBG 220-86 ONYX URBAN FRAGRANITE SINK



NOTE: Flushmount installation requires the minimum benchtop thickness to be 20mm and a 9mm deep recess into the benchtop

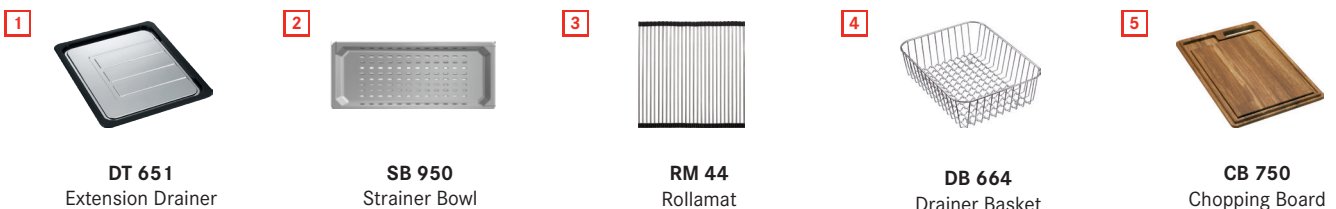
PRODUCT INFORMATION

Installation	Topmount/Flushmount
Dimensions	860(W) x 500(H)mm
Cabinet Base	900mm
Bowl Size	432(W) x 425(H) x 230(D)mm/42L 341(W) x 364(H) x 220(D)mm/27L
Bowl Radius	15mm
Cut-Out Size	824 x 464mm, cr=15
Cut-Out Template	No
Waste Outlet	Semi Integrated Waste
Overflow	Yes
Tap Holes	ø35mm
Remote Waste	No
Finish	Frangrinite



1 ACCESSORIES AVAILABLE **1** ACCESSORIES INCLUDED

ACCESSORIES



LAST UPDATED: 15 NOV 2019