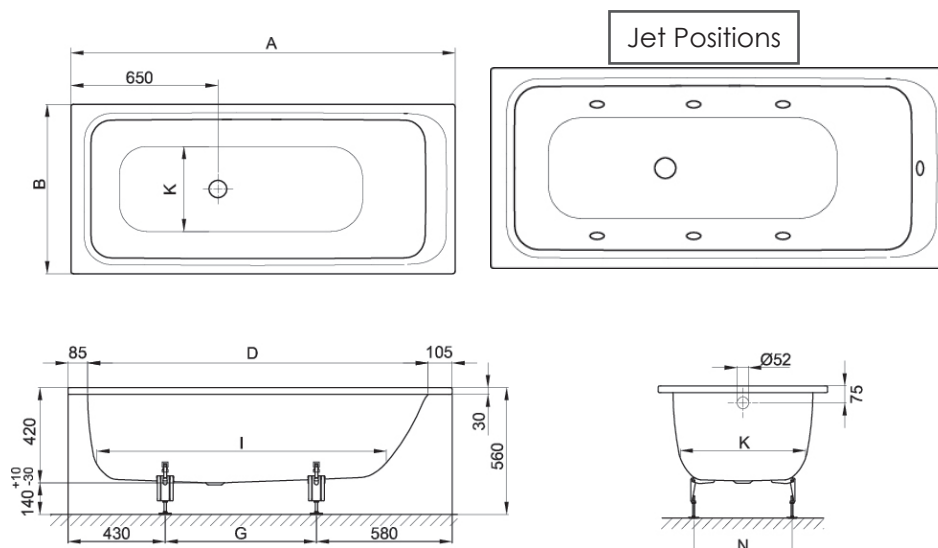


# BETTE

## BETTESELECT 6 JET SPA BATH

**Product Image** **Technical Specification**



| dimension        | A    | B   | D    | G   | I    | K   | N   |
|------------------|------|-----|------|-----|------|-----|-----|
| 170 x 75 x 42 cm | 1700 | 750 | 1510 | 690 | 1299 | 548 | 455 |
| 180 x 80 x 42 cm | 1800 | 800 | 1610 | 790 | 1399 | 598 | 505 |

Note: All Bette Spa Baths are available with attached or detached pump options. The optional 9002UNI universal access panel is recommended for attached options for easy component pump access during servicing, NB No access = No service

**Description**

BetteSelect 6 Jet Spa Bath

**SB3412WOB** 1700  
**SB3413WOB** 1800

**Additional Information**

Available options  
**6111B** Electronic Hot Pump  
**9002UNI** Recommended Access Panel

- Includes Tiling Lip & Overflow Waste
- Includes Bath Support Feet