
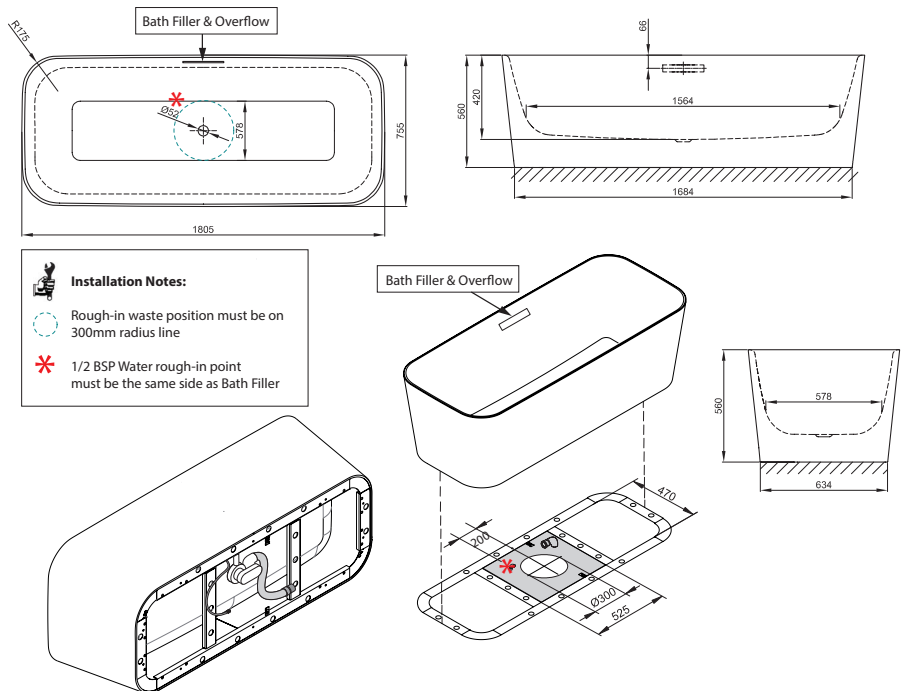




BETTEART 1800 SILHOUETTE FREESTANDING BATH

Product Image	Technical Specification
	 <p>Installation Notes:</p> <ul style="list-style-type: none"> Rough-in waste position must be on 300mm radius line 1/2 BSP Water rough-in point must be the same side as Bath Filler <p>dimension 180 x 75 x 42 cm</p> <p>Volume 248 litre</p> <p>Weight 125.0kg</p>

Description

BetteArt 1800 Silhouette Freestanding Bath

B3480SFB Chrome Overflow Waste | Bath Filler

Additional Information

- One-Piece Bath
- Includes Bath Filler
- Waste Overflow Combination
- 300mm flexible Waste Connector