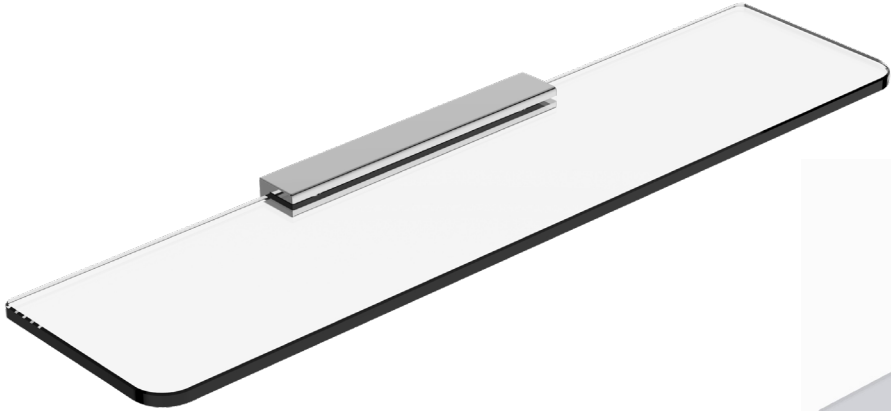
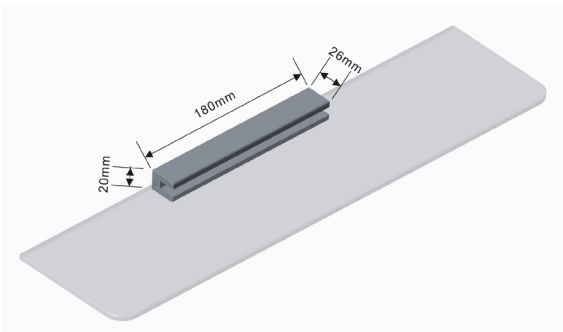




# MONDRIAN NEU 500MM GLASS SHELF

Product Image	Technical Specification
	

Description
<p>Mondrian Neu 500mm Glass Shelf</p> <p><b>AR93687</b>                  Chrome/Glass</p>

Additional Information
<ul style="list-style-type: none"> <li>• 7.4mm Tempered Glass</li> <li>• 5 year warranty</li> <li>• Dual Fixing</li> </ul>

