



# PHOENIX

## SPECIFICATIONS

### NARA

### SHOWER / WALL MIXER

PRODUCT CODE:	101-7800-00
FINISH:	CHROME
WELS:	N/A

#### INFORMATION:

TEMPERATURE RATING:	MIN 1° - MAX 75°
PRESSURE RATING:	MIN 150 kPa - MAX 500 kPa

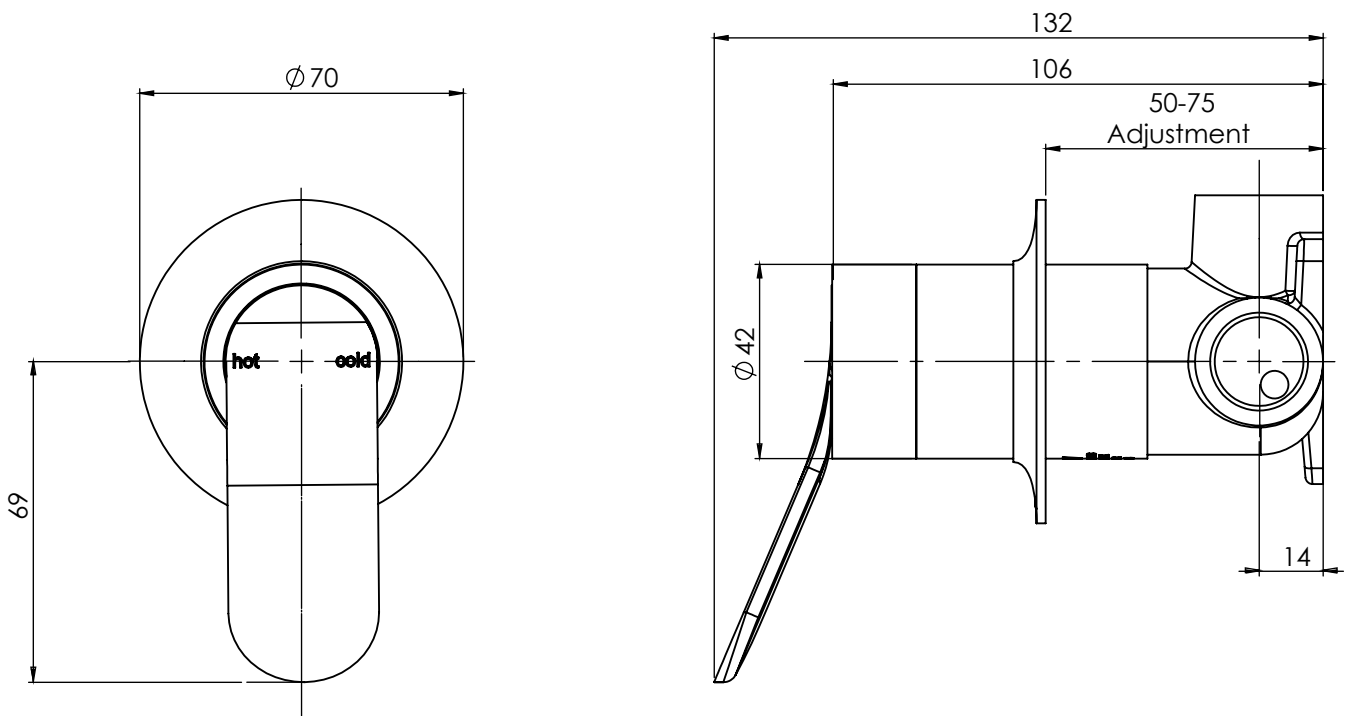


AVAILABLE IN:



CHROME

FOR MORE INFORMATION VISIT  
[www.phoenixtapware.com.au](http://www.phoenixtapware.com.au)



PLEASE [CLICK HERE TO VIEW FULL WARRANTY](#)

While we aim to ensure the specifications shown are correct at time of printing, Phoenix Tapware reserves the right to make modifications without prior notice. Always use the physical product measurements for mark-ups and roughing-in as the line drawing shown may differ from the actual product over time. All measurements are shown in millimetres.

A Registered Design and Trademark of Phoenix Industries Pty. Ltd  
V201216

[www.phoenixtapware.com.au](http://www.phoenixtapware.com.au)  
03 9780 4200



# PHOENIX

## SPECIFICATIONS

### NARA

### SHOWER / WALL MIXER

PRODUCT CODE:

101-7800-00

FINISH:

CHROME

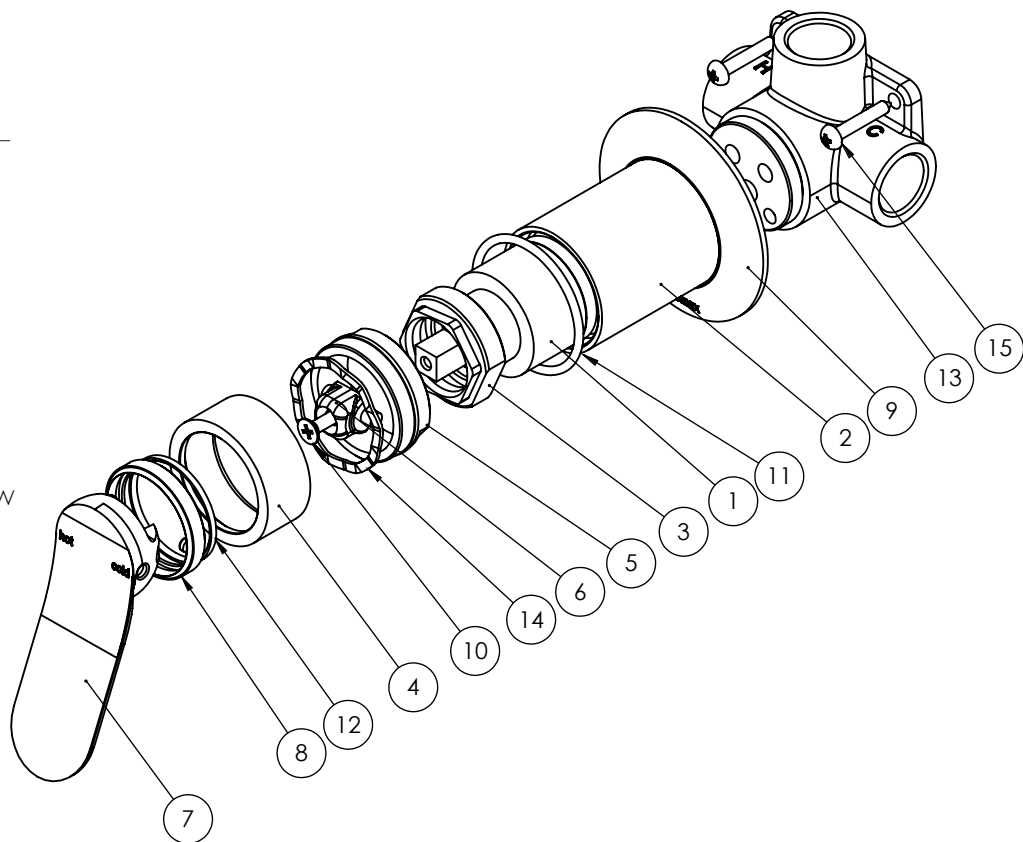
WELS:

N/A



#### PARTS LIST

1. 35MM CARTRIDGE
2. MIXER BODY
3. LOCKNUT
4. HANDLE SLEEVE
5. REAR BEARING
6. STEM GLIDER
7. MIXER LEVER
8. PIVOT WASHER
9. BACKPLATE
10. FLAT HEAD SCREW
11. O-RING
12. SEALING WASHER
13. BREECH
14. SPRING WASHER
15. WOOD PHILLIPS HEAD SCREW



#### MAINTENANCE AND CARE:

- All surfaces should be cleaned with mild liquid detergent or soap and water.
- Do not use cream cleaners or citrus based cleaning products, as they are abrasive.
- Use of unsuitable cleaning agents may damage the surface. Any damage caused in this way will not be covered by warranty.

#### PACKAGING INCLUDES

- 1 x Mixer body
- 1 x Mixer lever
- 1 x Backplate
- 1 x Installation instructions
- 1 x Warranty card

PLEASE [CLICK HERE](#) TO VIEW FULL WARRANTY

While we aim to ensure the specifications shown are correct at time of printing, Phoenix Tapware reserves the right to make modifications without prior notice. Always use the physical product measurements for mark-ups and roughing-in as the line drawing shown may differ from the actual product over time. All measurements are shown in millimetres.

A Registered Design and Trademark of Phoenix Industries Pty. Ltd  
V201216

[www.phoenixtapware.com.au](http://www.phoenixtapware.com.au)  
03 9780 4200