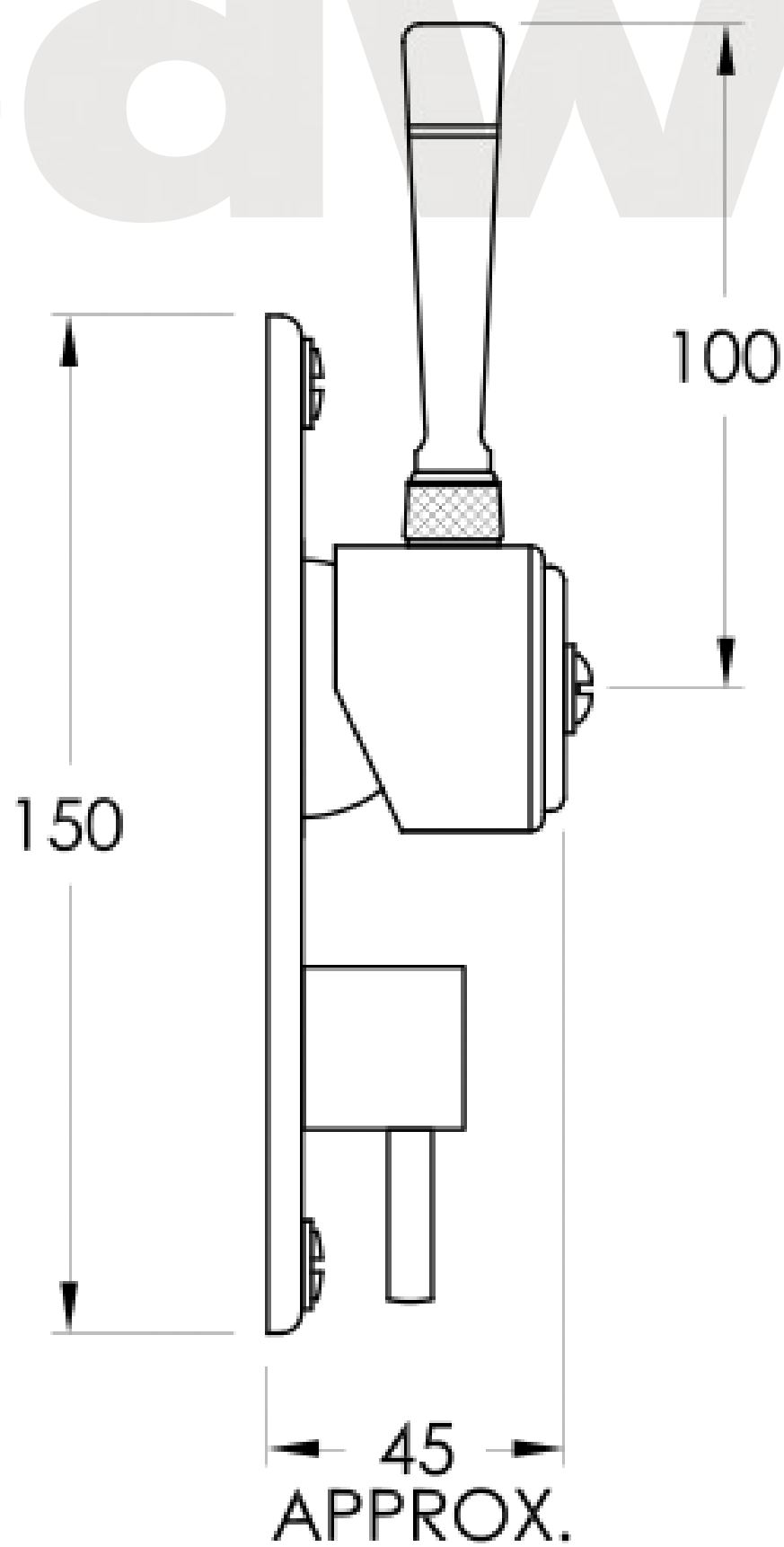


# Brodware



Ⓐ Approximate distance

**INDUSTRICA**

**1.6748.05.3.XX**

XX Indicates finish  
 Manufacturing engineers of quality commercial and residential fittings  
 Dimensions subjects to change without notice. All dimensions are approximate  
 Copyright © Brodware Pty Ltd 2018. [www.brodware.com](http://www.brodware.com)

**Brodware**