

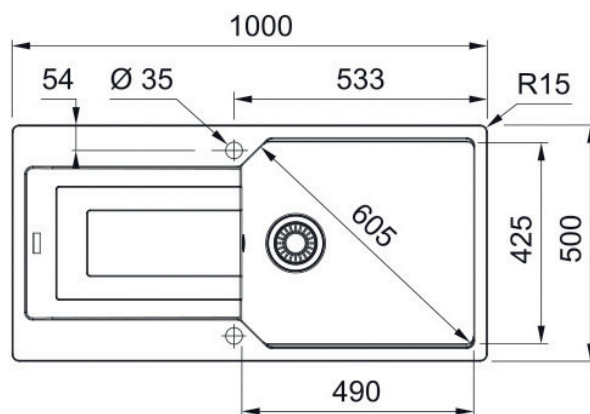
UBG 211-100 PW REV URBAN FRAGRANITE SINK



NOTE: Flushmount installation requires the minimum benchtop thickness to be 20mm and a 9mm deep recess into the benchtop

PRODUCT INFORMATION

Installation	Topmount/Flushmount
Dimensions	1000(W) x 500(H)mm
Cabinet Base	600mm
Bowl Size	490(W) x 425(H) x 210(D)mm/43L
Bowl Radius	15mm
Cut-Out Size	964 x 464mm, cr=15
Cut-Out Template	No
Waste Outlet	Semi Integrated Waste
Overflow	Yes
Tap Holes	ø35mm
Remote Waste	No
Finish	Fragranite



1 ACCESSORIES AVAILABLE **1** ACCESSORIES INCLUDED

ACCESSORIES

1



DT 651
Extension Drainer

2



SB 950
Strainer Bowl

3



RM 44
Rollamat

4



DB 664
Drainer Basket

5



CB 750
Chopping Board

LAST UPDATED: 15 NOV 2019