

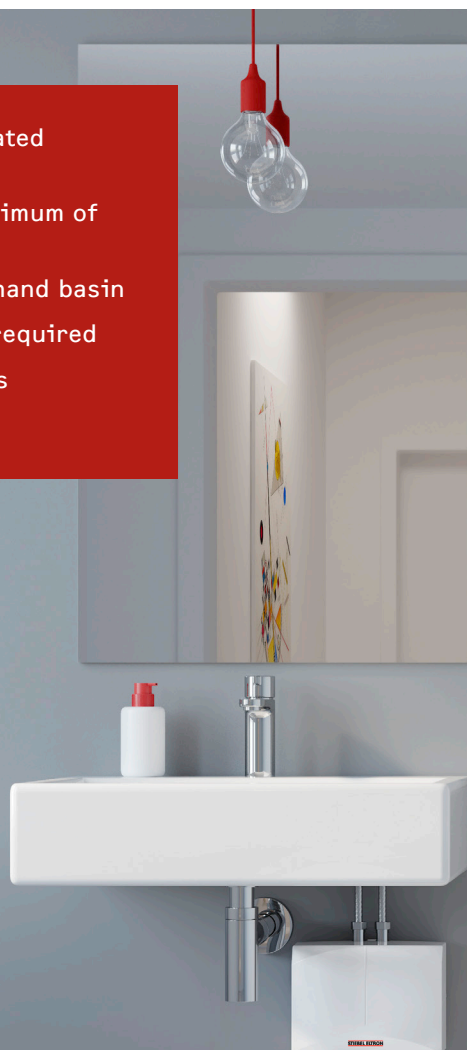
Data Sheet: DEM & WSH



- › DEM 6 AU
- › WSH 20 AU



- › Sold packaged with battery-operated chrome sensor tap (WSH 20 AU)
- › Temperature delivery up to a maximum of 50 °C in accordance with AS3498
- › Designed for supplying a single hand basin
- › No flue, ventilation or safe tray required
- › No standby or distribution losses
- › Water heater made in Germany



DEM 6

TOUCH FREE ENDLESS HANDWASHING

Wherever smaller volumes of warm water are frequently required, the mini electronic instantaneous water heater DEM 6 is the perfect choice. Sold with a chrome sensor tap, the STIEBEL ELTRON DEM 6 + WSH is a package which goes well with any interior. Sensor taps provide the best solution to hygiene as your hands do not need to come into contact with the tap. This is particularly important in shared bathrooms, where users are exposed to germs from other users.

		PREMIUM
Model	DEM 6 AU	
	201683	
Rated output (240 V)	kW	6.2
Rated current (240 V)	A	25.8
Connection	1/N/PE	
Fuse protection (240 V)	A	32
Electrical installation	As per AS/NZS3000	
Installation requirements	AS/NZS3500.4.2 & local requirements	
Switch on flow rate	L/min	2.2
Max. temperature	°C	50
Water connection	G 1/2	
Max. permissible pressure	kPa	1000
IP rating	IP25	
Height	mm	143
Width	mm	190
Depth	mm	82
Weight	kg	1.7
Colour	White	
Approvals	WaterMark Lic No. WMKA00301. AS3498	

Temperature Rise (240 V)	DEM 6 AU
2.5 L/min	+35 °C
3 L/min	+29 °C
4 L/min	+22 °C
5 L/min	+17 °C
6 L/min	+14 °C

Calculating Output Water Temperature

Add the above temperature rise values to your incoming cold water temperature to calculate output at a desired flow rate.

Seasonal Average Cold Water Temperatures

Melbourne: 15 °C
 Sydney/Brisbane/Perth/Adelaide: 18 °C
 Canberra/Hobart: 14 °C
 Townsville/Darwin: 25 °C

The DEM 6 AU electric instantaneous single phase water heater delivers hot water not exceeding 50 °C in accordance with AS3498. Refer to AS/NZS3500.4, local requirements and installation instructions to determine if additional delivery temperature control is required.

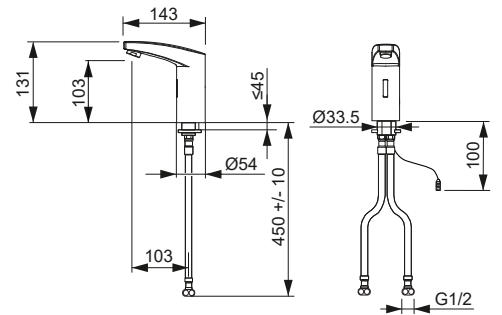
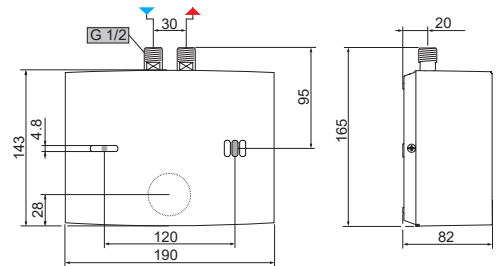
WATER HEATER



DEM 6 AU



WSH Sensor Tap



Dimensions and Connections

STIEBEL ELTRON is committed to our policy of continual improvement, some features may have subsequently been changed or even removed. Our advisors will be happy to consult with you regarding the currently applicable equipment features. The images used in this data sheet are for reference only.