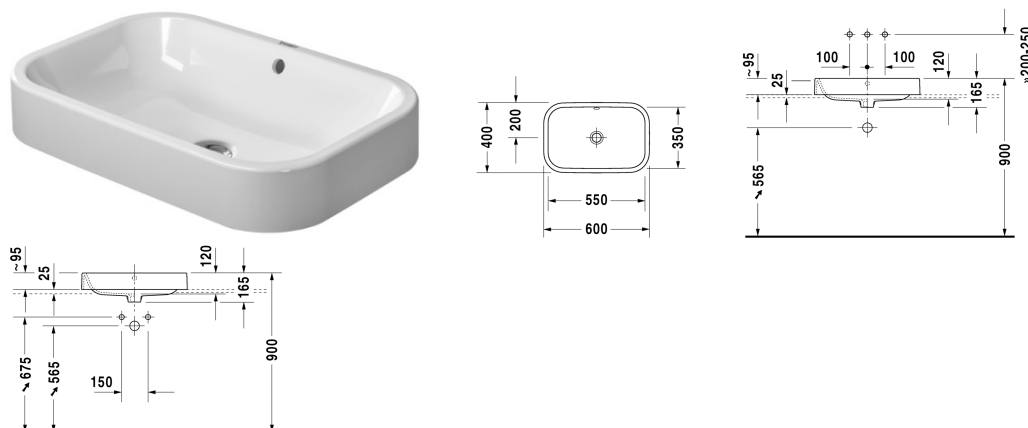


Happy D.2 Washbowl # 2314600000

|< 600 mm >|



Washbowl	Dimension	Weight	Order number
ground, with overflow, without tap platform, fixings included, overflow clip chrome included, 600 mm			
Colors			
00 White Alpin			
Variant			
☒	600 x 400 mm	13,600 kg	2314600000
Sanitary ceramics with the special WonderGliss surface finish will remain clean and attractive-looking for a long time to come. When ordering WonderGliss please add a "1" as eleventh digit to the model number.			
Accessory			
Design Siphon		1,500 kg	005036
Pop-up basin waste with horizontal lever**		0,500 kg	005031
Push-open waste		0,400 kg	005052
Suitable products			
Console including drawers 2 drawers beneath console, 2 console supports, 1 cut-out central, 800 x 550 mm	800 x 550 mm		F08521
Console including drawers 3 drawers beneath consoles, 3 console supports, 1 cut-out left side, 1500 x 550 mm	1500 x 550 mm		F08528
Console including drawers 3 drawers beneath consoles, 3 console supports, 1 cut-out right side, 1500 x 550 mm	1500 x 550 mm		F08529
Console including drawers 3 drawers beneath consoles, 3 console supports, 2 cut-outs, 1500 x 550 mm	1500 x 550 mm		F08530

Happy D.2 Washbowl # 2314600000

| < 600 mm > |

Console including drawers 3 drawers beneath consoles, 3 console supports, 1 siphon cover, 1 cut-out central, 1800 x 550 mm	1800 x 550 mm	F08531
Console including drawers 3 drawers beneath consoles, 3 console supports, 1 cut-out left side, 1800 x 550 mm	1800 x 550 mm	F08532
Console including drawers 3 drawers beneath consoles, 3 console supports, 1 cut-out right side, 1800 x 550 mm	1800 x 550 mm	F08533
Console including drawers 3 drawers beneath consoles, 3 console supports, 2 cut-outs, 1800 x 550 mm	1800 x 550 mm	F08534
Console including drawers 2 drawers beneath console, 2 console supports, 1 cut-out central, 1000 x 550 mm	1000 x 550 mm	F08522
Console including drawers 2 drawers beneath console, 2 console supports, 1 cut-out central, 1200 x 550 mm	1200 x 550 mm	F08523
Console including drawers 3 drawers beneath consoles, 3 console supports, 1 siphon cover, 1 cut-out central, 1500 x 550 mm	1500 x 550 mm	F08527
Vanity unit wall-mounted 1 pull-out compartment, countertop including one cut-out, for 1 above counter basin central, 800 x 550 mm	800 x 550 mm	KT6694
Vanity unit wall-mounted 1 pull-out compartment, countertop including one cut-out, for 1 above counter basin central, 1000 x 550 mm	1000 x 550 mm	KT6695
Vanity unit wall-mounted 1 pull-out compartment, countertop including one cut-out, for 1 above counter basin central, 1200 x 550 mm	1200 x 550 mm	KT6696
Vanity unit wall-mounted 2 pull-out compartments, 1 countertop with one cut-out or two cut-outs, for 1 or 2 above counter basins, 1400 x 550 mm	1400 x 550 mm	KT6697 B/L/R
Vanity unit wall-mounted 2 drawers, upper drawer including cut-out for siphon and siphon cover, countertop including one cut-out, for 1 above counter basin central, 800 x 550 mm	800 x 550 mm	KT6654
Vanity unit wall-mounted 2 drawers, upper drawer including cut-out for siphon and siphon cover, countertop including one cut-out, for 1 above counter basin central, 1000 x 550 mm	1000 x 550 mm	KT6655
Vanity unit wall-mounted 2 drawers, upper drawer including cut-out for siphon and siphon cover, countertop including one cut-out, for 1 above counter basin central, 1200 x 550 mm	1200 x 550 mm	KT6656
Vanity unit wall-mounted 1 pull-out compartment, 1 countertop including one central cut-out, 835 x 565 mm	835 x 565 mm	S19526
Vanity unit wall-mounted 1 pull-out compartment, countertop including one cut-out, 1235 x 565 mm	1235 x 565 mm	S19528 L/M/R
Vanity unit wall-mounted 2 pull-out compartments, 1 countertop with one cut-out or two cut-outs, 1435 x 565 mm	1435 x 565 mm	S19529 B/L/R
Console including drawer for vanity basin countertop including one cut-out, 1 drawer beneath console, 1 cover beneath console, 3 console supports, 1800 x 565 mm	1800 x 565 mm	DL6892 L/R
Console including drawer for wash bowls or semi-recessed washbasin 1 countertop including one central cut-out, 1 drawer beneath console, 2 console supports, 800 x 565 mm	800 x 565 mm	DL6788

Happy D.2 Washbowl # 2314600000

| < 600 mm > |

Console including drawer for wash bowls or semi-recessed washbasin 1 countertop including one central cut-out, 1 drawer beneath console, 2 console supports, 1000 x 565 mm	1000 x 565 mm	DL6789
Console including drawer for wash bowls or semi-recessed washbasin 1 countertop including one central cut-out, 1 drawer beneath console, 3 console supports, 1200 x 565 mm	1200 x 565 mm	DL6790
Console including drawer for wash bowls or semi-recessed washbasin countertop including one cut-out, 2 drawers beneath console, 3 console supports, 1800 x 565 mm	1800 x 565 mm	DL6792 L/R
Vanity unit for console 2 drawers, upper drawer including cut-out for siphon and siphon cover, 800 x 565 mm	800 x 565 mm	DL6799
Vanity unit for console 1 pull-out compartment, compartment consists of glass dividers and 2 boxes (small/large), 600 x 478 mm	600 x 478 mm	XL6500
Vanity unit for console 1 pull-out compartment, compartment consists of glass dividers and 2 boxes (small/large), 800 x 478 mm	800 x 478 mm	XL6501
Vanity unit for console 1 pull-out compartment, compartment consists of glass dividers and 2 boxes (small/large), 1000 x 478 mm	1000 x 478 mm	XL6502
Vanity unit for console 2 drawers, upper drawer including cut-out for siphon and siphon cover, 600 x 478 mm	600 x 478 mm	XL6510
Vanity unit for console 2 drawers, upper drawer including cut-out for siphon and siphon cover, 800 x 478 mm	800 x 478 mm	XL6511
Vanity unit for console 2 drawers, upper drawer including cut-out for siphon and siphon cover, 1000 x 478 mm	1000 x 478 mm	XL6512
Vanity unit for console 1 pull-out compartment, compartment consists of glass dividers and 2 boxes (small/large), 600 x 548 mm	600 x 548 mm	XL6719
Vanity unit for console 1 pull-out compartment, compartment consists of glass dividers and 2 boxes (small/large), 800 x 548 mm	800 x 548 mm	XL6713
Vanity unit for console 1 pull-out compartment, compartment consists of glass dividers and 2 boxes (small/large), 1000 x 548 mm	1000 x 548 mm	XL6715
Vanity unit for console 2 drawers, upper drawer including cut-out for siphon and siphon cover, 600 x 548 mm	600 x 548 mm	XL6717
Vanity unit for console 2 drawers, upper drawer including cut-out for siphon and siphon cover, 800 x 548 mm	800 x 548 mm	XL6714
Vanity unit for console 2 drawers, upper drawer including cut-out for siphon and siphon cover, 1000 x 548 mm	1000 x 548 mm	XL6716
Vanity unit for console 2 drawers, upper drawer including cut-out for siphon and siphon cover, 600 x 478 mm	600 x 478 mm	H26310
Vanity unit for console 2 drawers, upper drawer including cut-out for siphon and siphon cover, 800 x 478 mm	800 x 478 mm	H26311
Vanity unit for console 2 drawers, upper drawer including cut-out for siphon and siphon cover, 1000 x 478 mm	1000 x 478 mm	H26312
Vanity unit for console 2 drawers, upper drawer including cut-out for siphon and siphon cover, 800 x 548 mm	800 x 548 mm	H26301

Happy D.2 Washbowl # 2314600000

| < 600 mm > |

Vanity unit for console 2 drawers, upper drawer including cut-out for siphon and siphon cover, 600 x 548 mm	600 x 548 mm	H26300
Vanity unit for console 2 drawers, upper drawer including cut-out for siphon and siphon cover, 1000 x 548 mm	1000 x 548 mm	H26302
Vanity unit for console , 800 x 518 mm	800 x 518 mm	VE6541
Vanity unit for console , 1000 x 518 mm	1000 x 518 mm	VE6542
Vanity unit for console 1 pull-out compartment, pull-out compartment including cut-out for siphon and siphon cover, 800 x 518 mm	800 x 518 mm	VE6551
Vanity unit for console 1 pull-out compartment, pull-out compartment including cut-out for siphon and siphon cover, 1000 x 518 mm	1000 x 518 mm	VE6552
Vanity unit for console 1 drawer, drawer including cut-out for siphon and siphon cover, 800 x 518 mm	800 x 518 mm	VE6561
Vanity unit for console 1 drawer, drawer including cut-out for siphon and siphon cover, 1000 x 518 mm	1000 x 518 mm	VE6562
Vanity unit for console 2 drawers, upper drawer including cut-out for siphon and siphon cover, 800 x 518 mm	800 x 518 mm	VE6571
Vanity unit for console 2 drawers, upper drawer including cut-out for siphon and siphon cover, 1000 x 518 mm	1000 x 518 mm	VE6572
Vanity unit for console 2 drawers, upper drawer including cut-out for siphon and siphon cover, 1000 x 565 mm	1000 x 565 mm	DL6798
Vanity unit for console 1 pull-out compartment, 820 x 477 mm	820 x 477 mm	LC6812
Vanity unit for console 1 pull-out compartment, 1020 x 477 mm	1020 x 477 mm	LC6813
Vanity unit for console with 2 drawers, upper drawer including cut-out for siphon and siphon cover, 820 x 477 mm	820 x 477 mm	LC6822
Vanity unit for console with 2 drawers, upper drawer including cut-out for siphon and siphon cover, 1020 x 477 mm	1020 x 477 mm	LC6823
Vanity unit for console 1 pull-out compartment, 820 x 547 mm	820 x 547 mm	LC6828
Vanity unit for console 1 pull-out compartment, 1020 x 547 mm	1020 x 547 mm	LC6829
Vanity unit for console with 2 drawers, upper drawer including cut-out for siphon and siphon cover, 820 x 547 mm	820 x 547 mm	LC6838
Vanity unit for console with 2 drawers, upper drawer including cut-out for siphon and siphon cover, 1020 x 547 mm	1020 x 547 mm	LC6839
Console for above counter basin and countertop basin 1 console with one cut-out, Width min. see ordering information, Width max 2000 mm, price per section of 100 mm, basic price till 800 mm, 550 mm	550 mm	LC096C
Console for above counter basin and countertop basin 1 console with one cut-out, Width min. see ordering information, Width max 2000 mm, price per section of 100 mm, basic price till 800 mm, 480 mm	480 mm	LC094C
Console for above counter basin and countertop basin 1 console with two cut-outs, Width min. see ordering information, Width max 2000 mm, price per section of 100 mm, basic price till 800 mm, 550 mm	550 mm	LC097C

Happy D.2 Washbowl # 2314600000

|< 600 mm >|

Console for above counter basin and countertop basin 1 console with two cut-outs, Width min. see ordering information, Width max 2000 mm, price per section of 100 mm, basic price till 800 mm, 480 mm

LC095C

All drawings contain the necessary measurements which are subject to standard tolerances. They are stated in mm and are non-binding. Exact measurements, in particular for customised installation scenarios, can only be taken from the finished ceramic piece.