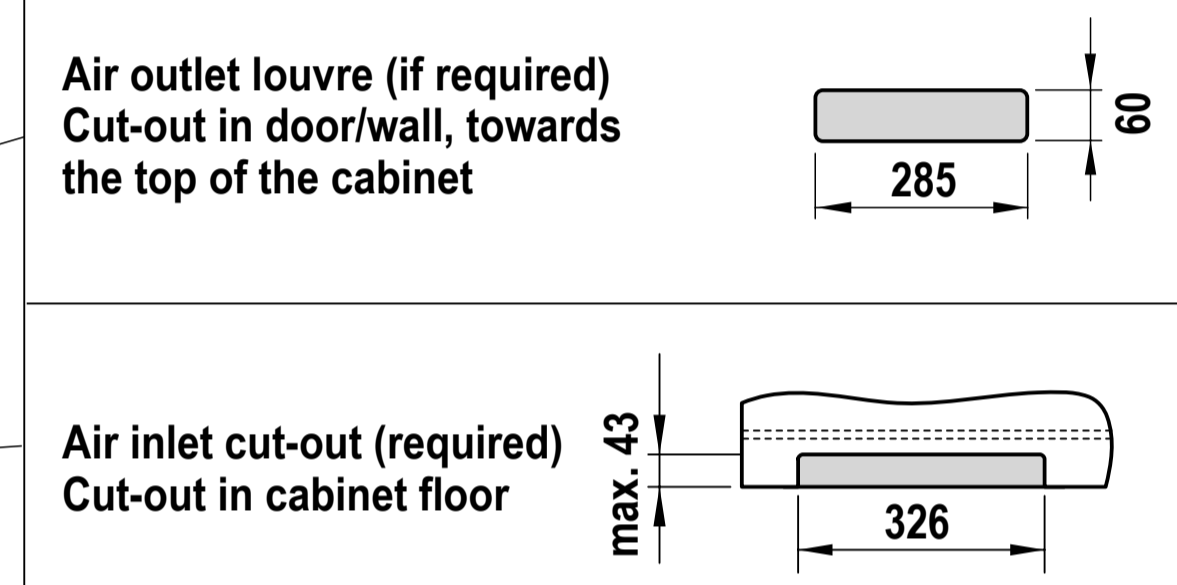
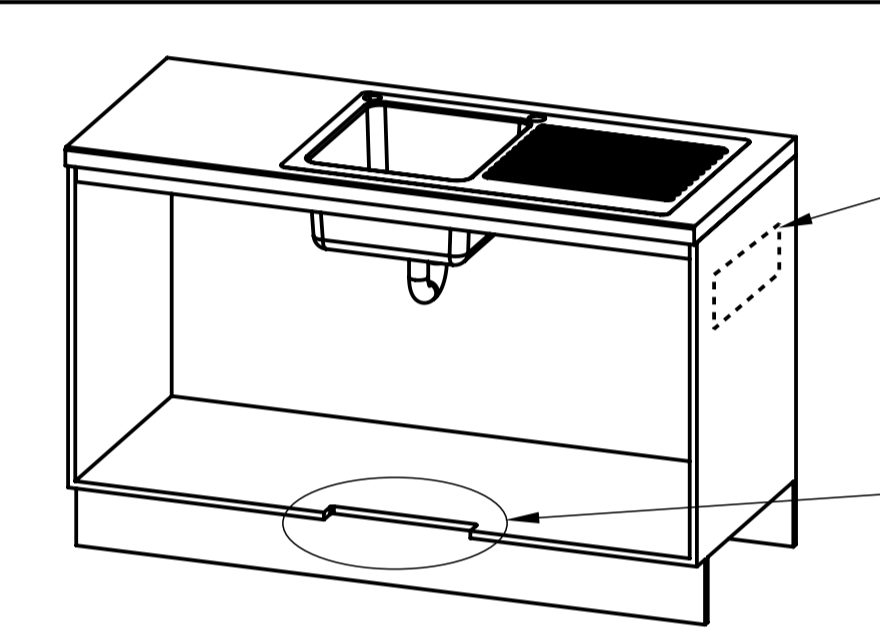
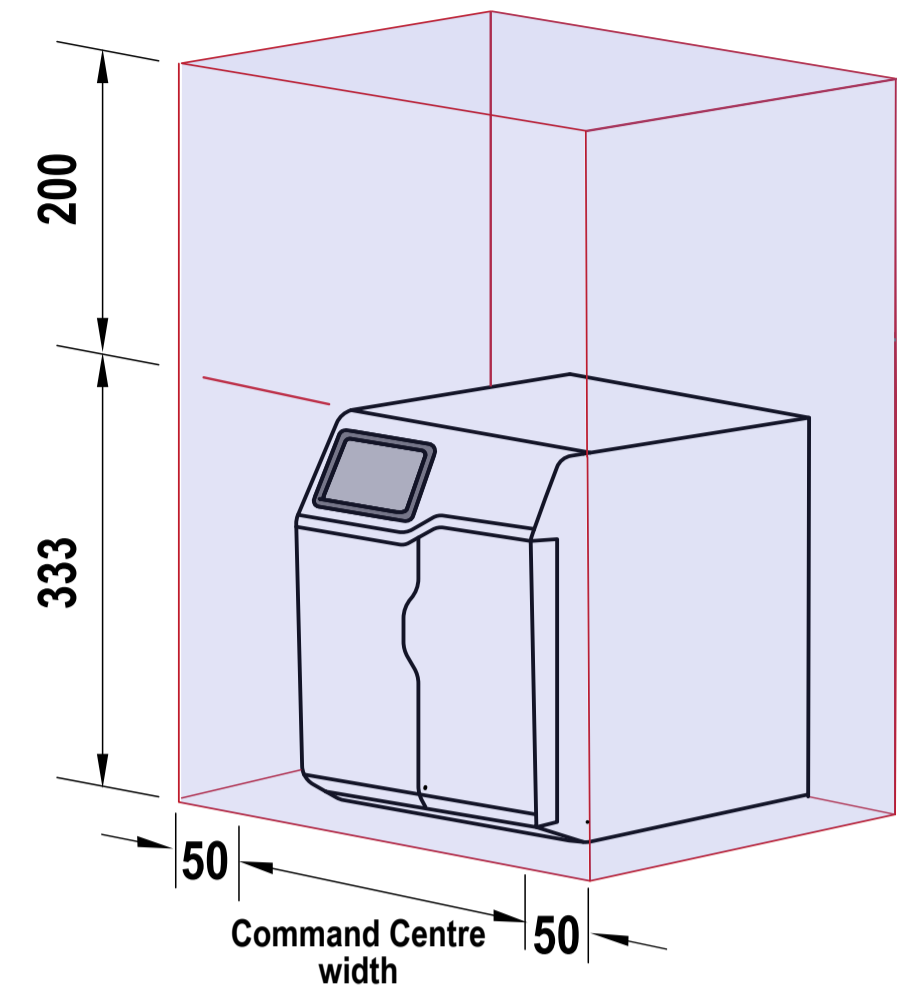


Ventilation requirements Contact your local service provider if ventilation is not suitable

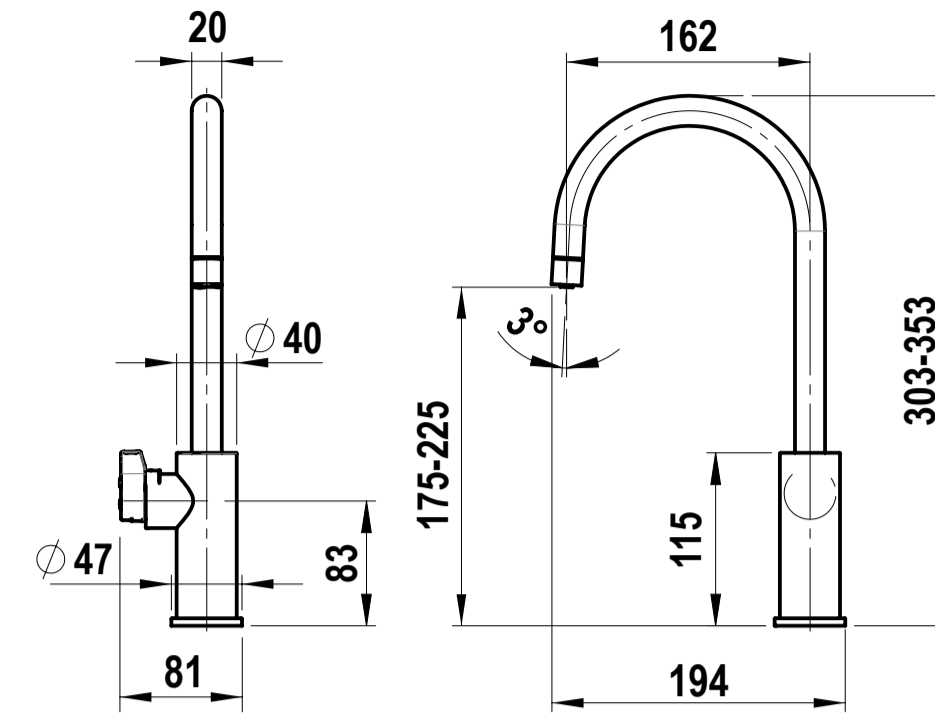
Clearance envelope

Position the Tap and the Command Centre as close together as possible.

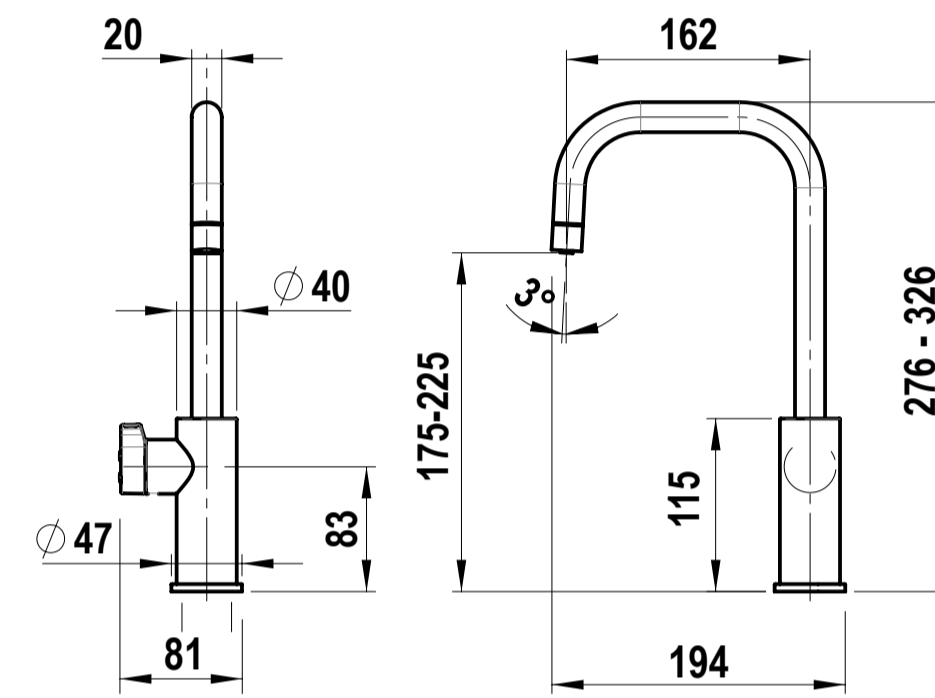


HydroTap Tap options

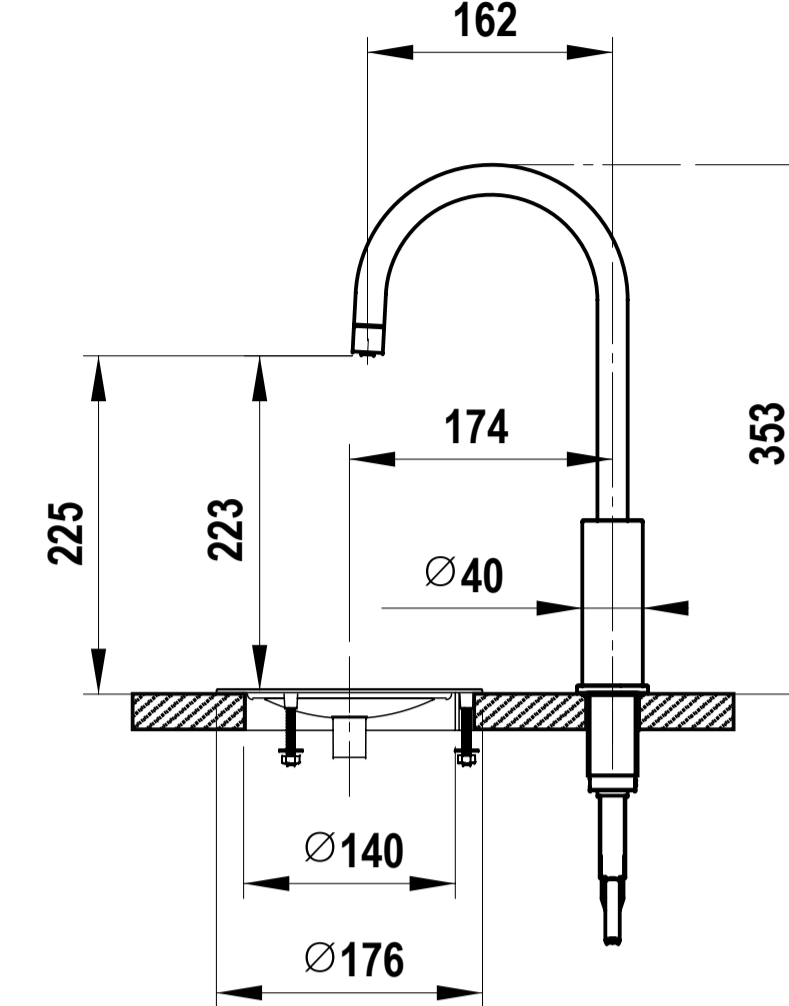
HydroTap Arc Tap



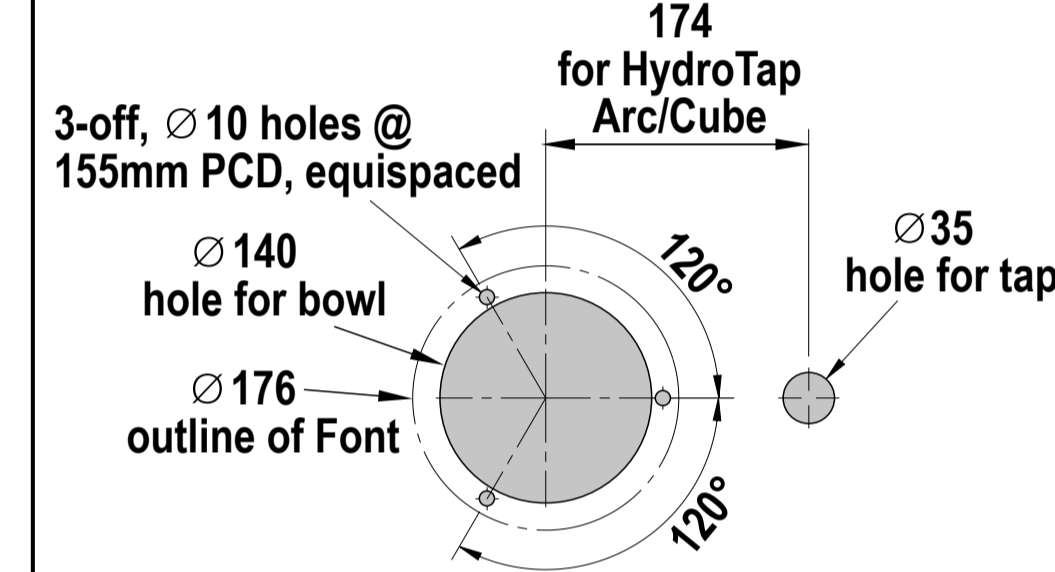
HydroTap Cube Tap



Standalone Font with Arc Tap



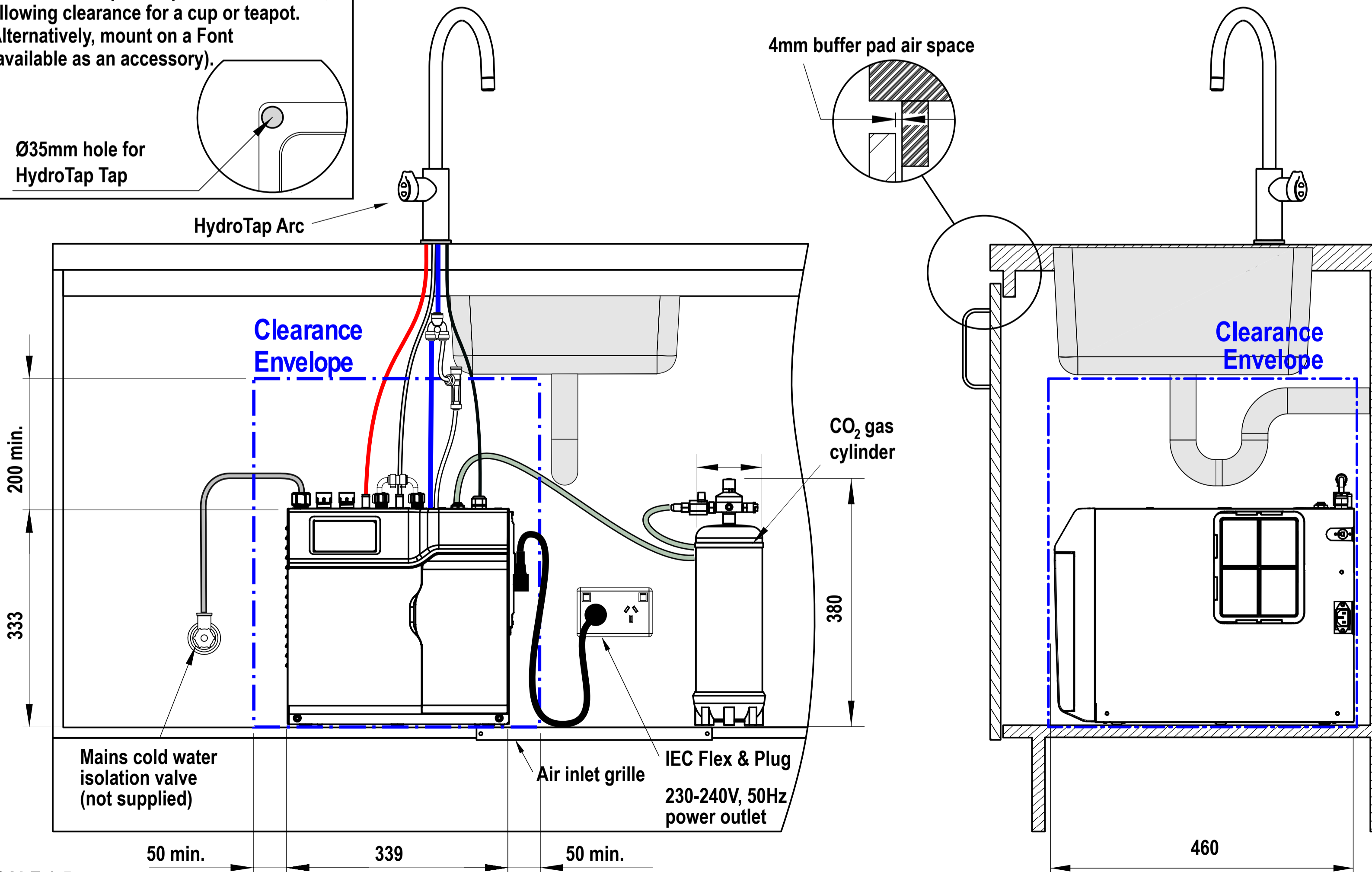
Cutting detail



Tap Positioning

Position the Tap to dispense into the sink, allowing clearance for a cup or teapot. Alternatively, mount on a Font (available as an accessory).

Ø35mm hole for HydroTap Tap



**HydroTap G5
BCS Home**

shown with HydroTap Arc