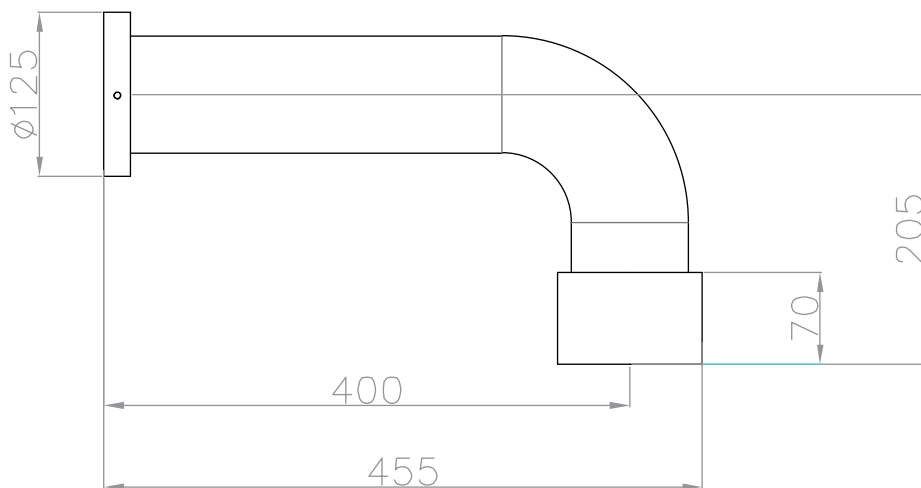
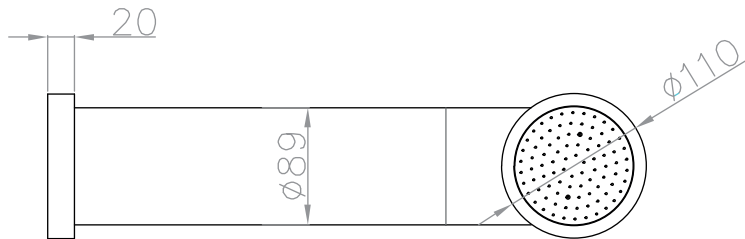




# JEE-O soho wall shower specifications



Note:  
UV radiation and extreme temperature can affect the color and structure of the JEE-O soho wall surface.

Article code:

**700-6900**

● Brushed stainless steel - **RAW**

**700-6902**

● Hammercoated black matt

**700-6908** green RAL 6003

● Powder coating matt

**700-6909** grey RAL 7040

● Powder coating matt

Material:

Stainless Steel r304

Coating:

1.5 Electro powder spray

Cleaning:

cleaning vinigar or alcohol

Flow at water of 38°C / 100,4°F:

12l / 3.2gal p/m at 3bar pressure

Connection:

G 1/2" (ø15mm / 0,6")  
nylon<sup>(out)</sup>/epdm<sup>(in)</sup> flexhose  
with brass swivel  
British Standard Pipe (BSP)

Thread:

Dimension package:

L 52 x W 34 x H 19 cm

Total weight:

3.8 kg

Package weight:

0.4 kg

2 year warranty

HS code:

84818011

Approvals:

