

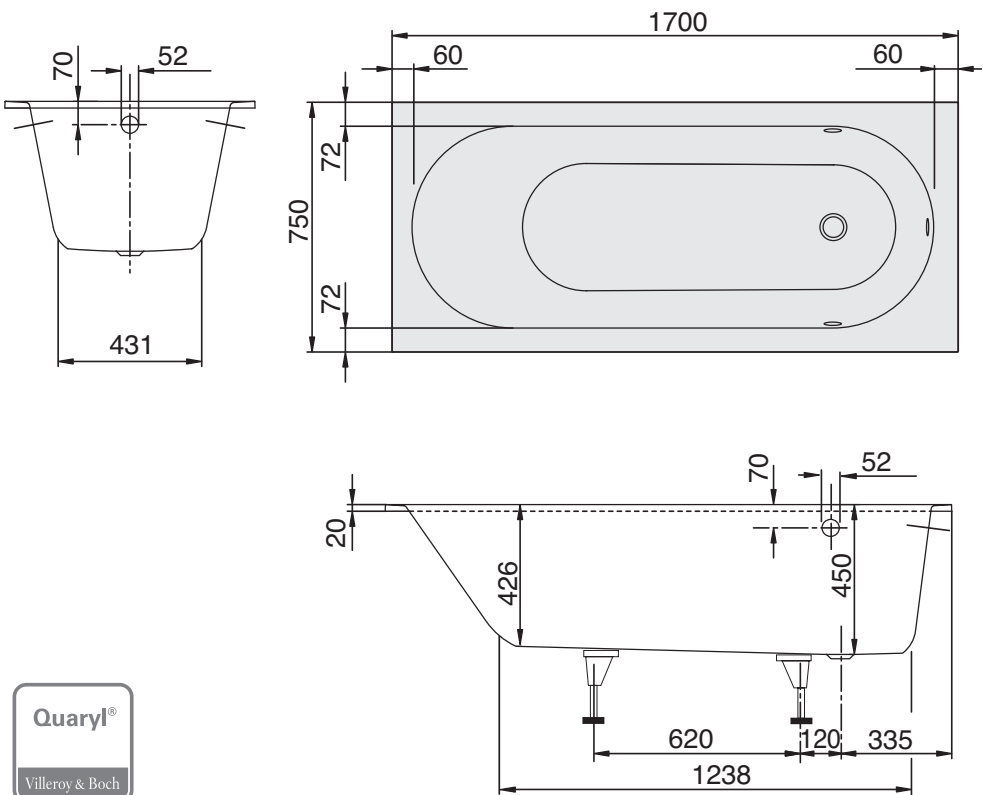


OBERON 1700 BATH

Product Image	Technical Specification
 	

Description	
OBERON 1700 BATH	
BQ1700BE2VB	1700x750mm
BQ1700BE2WFB	1700x750mm with Bath Filler
OPTIONAL TILING LIPS	
994613	900mm
994612	1800mm

Additional Information
<ul style="list-style-type: none"> • Includes Chrome Waste / Overflow Combination • Choice of 3 alternative overflow positions (50mm holesaw supplied for drilling overflow) • Adjustable Bath Feet supplied standard • Available with optional integrated Bath Filler • For Bath Filler Option, a mixed water supply rough-in point needs to be close to the bath filler/ overflow location and be at least 250mm below the top of the bath • Made from Quaryl® • 10 Year Warranty *Conditions Apply

