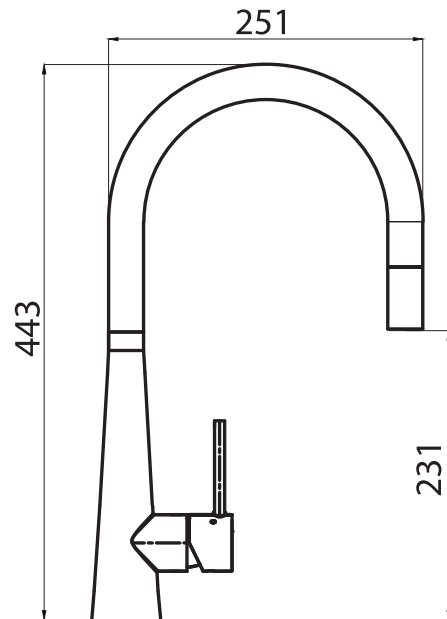


# Oliveri®

Model: SS2525



## FEATURES AND BENEFITS

- **WELS 4 star rating**  
4 Star water efficiency rating, 7.5L per minute.
- **Stainless steel**  
Modern design and durable finish to suit all kitchens.
- **10 year warranty**  
Covered by Oliveri's 10 year warranty (5 years parts & labour plus an additional 5 years parts only).
- **Filtered water**  
Connect an Oliveri inline filtration system to any Essente mixer to enjoy fresh tasting water in your home.
- **Watermark**  
Oliveri mixers carry the Watermark logo, confirming they comply with Australian standards.

## OTHER MODELS YOU MAY LIKE



## MATCHING ACCESSORIES



## SPECIFICATIONS

### Description

Oliveri Essente stainless steel goose neck pull out mixer

### Mixer Height

443 mm

### WELS Rating

4 star water efficiency  
7.5L per minute

<b>Finish</b>	Stainless steel
<b>Cartridge Size</b>	35 mm
<b>Cartridge Type</b>	Ceramic disc
<b>EAN</b>	9324974012199
<b>Spout height</b>	231 mm
<b>Max. operating pressure</b>	500 kpa
<b>Carton Size</b>	735 x 325 x 75 mm
<b>Weight</b>	3.5 kg
<b>Warranty</b>	10 Year Warranty: 5 years only (parts & labour) plus an additional 5 years on the Cartridge (parts only) Refer to <a href="http://oliveri.com.au">oliveri.com.au</a> for full warranty details



For more information call **1300 137 465** or visit **[oliveri.com.au](http://oliveri.com.au)**