



PHOENIX

SPECIFICATIONS

TOI

WALL BASIN OUTLET 180MM

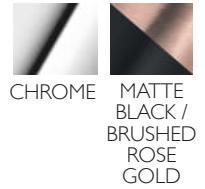
PRODUCT CODE: 108-7610-72
 FINISH: MATTE BLACK / BRUSHED ROSE GOLD
 WELS: 5 STAR - 6.0 LT/MIN

INFORMATION:

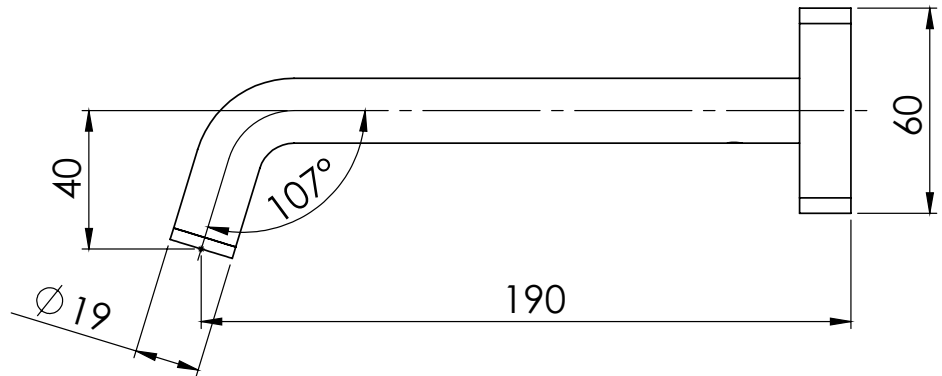
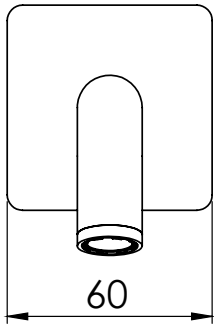
TEMPERATURE RATING: MIN 1° - MAX 75°
 PRESSURE RATING: MIN 150 kPa - MAX 500 kPa



AVAILABLE IN:



FOR MORE INFORMATION VISIT
www.phoenixtapware.com.au



PLEASE [CLICK HERE](#) TO VIEW FULL WARRANTY

While we aim to ensure the specifications shown are correct at time of printing, Phoenix Tapware reserves the right to make modifications without prior notice. Always use the physical product measurements for mark-ups and roughing-in as the line drawing shown may differ from the actual product over time. All measurements are shown in millimetres.

www.phoenixtapware.com.au
 03 9780 4200



TOI

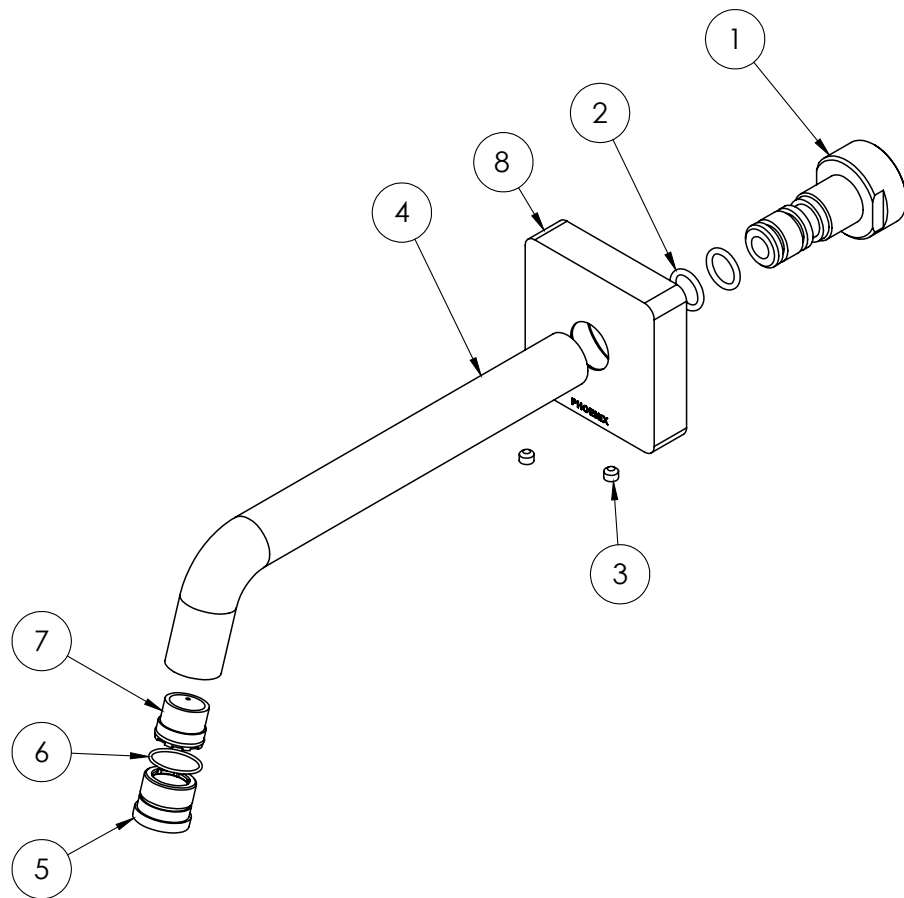
WALL BASIN OUTLET 180MM

PRODUCT CODE: 108-7610-72
FINISH: MATTE BLACK / BRUSHED ROSE GOLD
WELS: 5 STAR - 6.0 LT/MIN



PARTS LIST

1. ADAPTER
2. O-RING 11x2.0MM
3. GRUB SCREW M5X4
4. SPOUT
5. AERATOR RETAINER
6. O-RING 14X1.0MM
7. CONCEALED AERATOR
8. SPOUT PLATE



MAINTENANCE AND CARE:

- All surfaces should be cleaned with mild liquid detergent or soap and water.
- Do not use cream cleaners or citrus based cleaning products, as they are abrasive.
- Use of unsuitable cleaning agents may damage the surface. Any damage caused in this way will not be covered by warranty.

PACKAGING INCLUDES

- 1 x Spout
- 1 x Spout plate
- 1 x Installation kit
- 1 x Installation instructions
- 1 x Warranty card

PLEASE [CLICK HERE](#) TO VIEW FULL WARRANTY

While we aim to ensure the specifications shown are correct at time of printing, Phoenix Tapware reserves the right to make modifications without prior notice. Always use the physical product measurements for mark-ups and roughing-in as the line drawing shown may differ from the actual product over time. All measurements are shown in millimetres.

www.phoenixtapware.com.au
03 9780 4200