
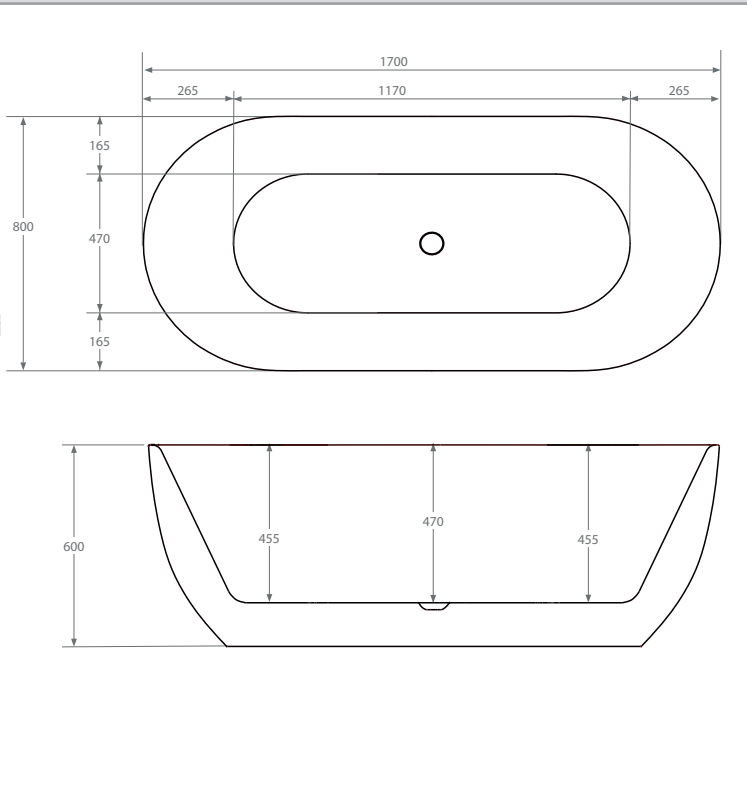




NOVA 1700 OVAL FREESTANDING BATH

Product Image	Technical Specification
	
<p>Please allow a 1-3mm tolerance on all measurements.</p>	

Description
<p>Nova 1700 Oval Freestanding Bath</p> <p>FS836817 1700 x 800 x 600mm</p>

Additional Information
<ul style="list-style-type: none"> • Lucite-Sanitary grade acrylic • No overflow • Gloss Finish - Anti Yellowing • Waste not included • Reinforced waste area • Solid base support system • Stainless Steel adjustable feet • Bath weight 46kg

