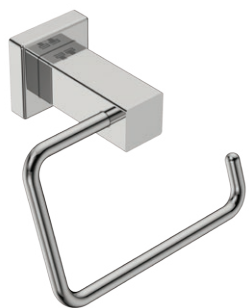


# 8502 PAPER HOLDER TYPE 2

## 8500 Series Premium Collection

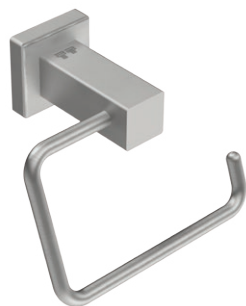
Wall Fixings Supplied:  
**Masonry**



**Code:** 8502POLS

**Finish:** Polished

GRADE 304 Stainless Steel



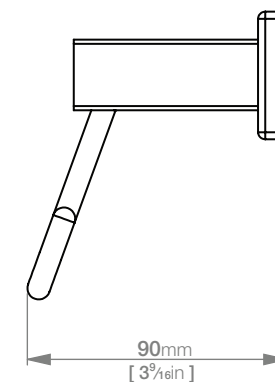
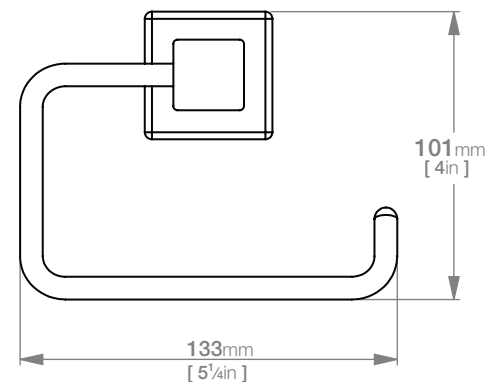
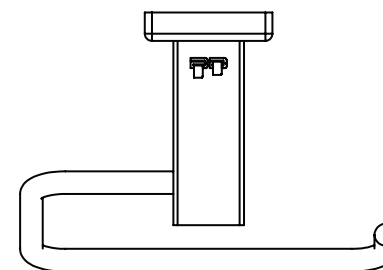
**Code:** 8502BRSH

**Finish:** Brushed

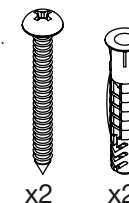
GRADE 304 Stainless Steel

Dimensions given are in **mm** and [**inches**].  
Bathroom Butler® reserves the right to alter and/or remove designs from time to time without prior notice.  
This drawing is to be used for reference purposes only. E & O.E.

Copyright Bathroom Butler® 2016



Original UX Fischer® Wall Plug supplied, phased in from June 2015.



**South Africa:** 0860 104 653 • info@bathroombutler.co.za • www.bathroombutler.co.za  
**Australia:** 1300 133 320 • sales@bathe.net.au • www.bathe.net.au  
**USA & Canada:** 866.884.5290 • info@bathroombutler.com • www.bathroombutler.com

Document version **2.2**  
Product version **2.0**