

SHENSEKI

Made in Australia

INSET BATH/SPA BATH WITH TILE BEAD - Premium Sanitary Grade Acrylic, High Gloss White

The Shenseki's maximised space & internal depth makes for a comfortable bathing experience. This bath is small in size & big on impact, making it ideal for a smaller bathroom. *End waste position.*

☒ Molded arm rests

☒ Lumbar support

☒ Suitable for dual bathing

☒ Slip resistant pattern



SHENSEKI BATH

| SIZE (l) x (w) x (d) mm | CAPACITY* | NET WEIGHT | CODE |
|-------------------------|-----------|------------|------------------|
| 1395 x 755 x 480 | 137L | 20.5kg | SHEN1400W |
| 1515 x 810 x 520 | 192L | 21kg | SHEN1510W |



- 15 YR WARRANTY*
- AS/NZ Standard 2023/1995
- Steel rod reinforced rim
- Double reinforced bath base



SHENSEKI SANTAI SPA BATH ● 10 JETS

| SIZE (l) x (w) x (d) mm | CAPACITY* | NET WEIGHT | CODE |
|-------------------------|-----------|------------|------------------------|
| 1395 x 755 x 480 | 137L | 35kg | SHEN1400SAN10JW |
| 1515 x 810 x 520 | 191L | 37kg | SHEN1510SAN10JW |

- 10 YR WARRANTY* - SPA SHELL
- 5 YR WARRANTY* - PUMP, JETS & FITTINGS
- AS/NZ Standard AS3861/1991
- Steel rod reinforced rim
- 6 x low profile Mod centro jets
- 4 x low profile Mod mini jets
- 1 x low profile Mod suction
- 1 x Mod power button (rim mounted)
- 2 x Mod air controls (rim mounted)
- 750 watt auto heat boost pump



SHENSEKI CONTOUR SPA BATH ●● 12 JETS

| SIZE (l) x (w) x (d) mm | CAPACITY* | NET WEIGHT | CODE |
|-------------------------|-----------|------------|-----------------------|
| 1395 x 755 x 480 | 137L | 35kg | SHEN1400CNPAWC |
| 1515 x 810 x 520 | 191L | 37kg | SHEN1510CNPAWC |

- 10 YR WARRANTY* - SPA SHELL
- 5 YR WARRANTY* - PUMP, JETS & FITTINGS
- AS/NZ Standard AS3861/1991
- Steel rod reinforced rim
- Double reinforced bath base
- 6 x flush C-Lenda™ centro jets
- 6 x flush C-Lenda™ mini jets
- 2 x flush C-Lenda™ air controls
- 1 x flush C-Lenda™ suction
- 1 x Sensa-Touch pad control (rim mounted)
- 750 watt 3-stage heat boost pump



SHENSEKI DOLCE VITA SPA BATH ●●● 16 JETS

| SIZE (l) x (w) x (d) mm | CAPACITY* | NET WEIGHT | CODE |
|-------------------------|-----------|------------|------------------------|
| 1395 x 755 x 480 | 137L | 65kg | SHEN1400DVSPAWC |
| 1515 x 810 x 520 | 191L | 68kg | SHEN1510DVSPAWC |

- 10 YR WARRANTY* - SPA SHELL
- 5 YR WARRANTY* - PUMP, JETS & FITTINGS
- AS/NZ Standard AS3861/1991
- Steel rod reinforced rim
- Double reinforced bath base
- 6 x adjustable flush C-Lenda™ centro jets
- 10 x adjustable flush C-Lenda™ mini jets
- 2 x flush C-Lenda™ air controls
- 1 x flush C-Lenda™ suction
- Spa Key remote control
- 1100 watt spa key heat boost pump

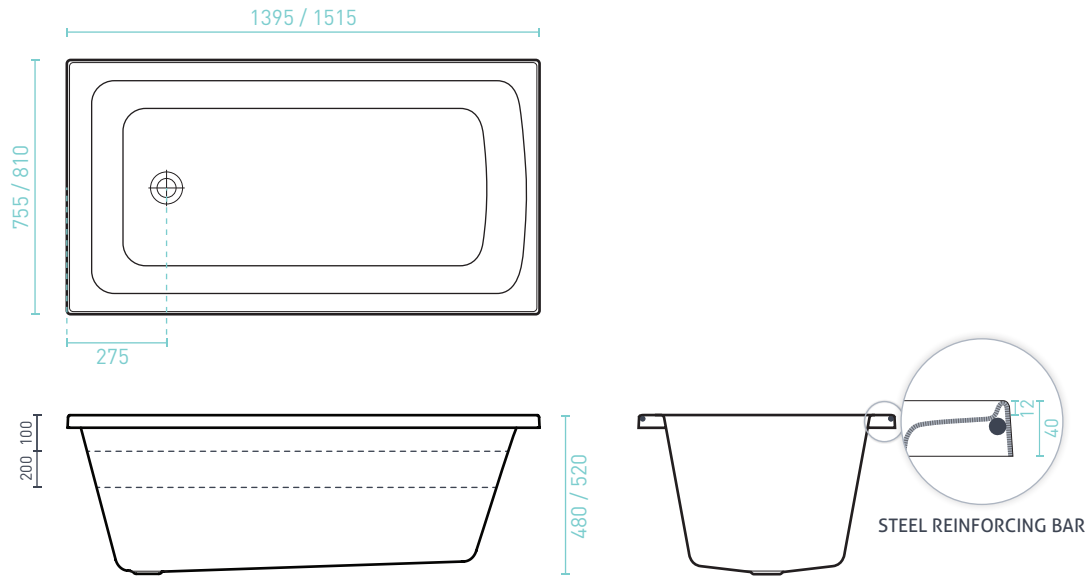
Available with Chrome, White or Black jets



| SHENSEKI ACCESSORIES | BATH | SANTAI SPA BATH | CONTOUR SPA BATH | DOLCE VITA SPA BATH |
|------------------------------|----------|-----------------|------------------|---------------------|
| EZI Frame/Base Support Frame | Optional | Optional | Optional | ✓ |
| Fiore Headrests Black/White | Optional | Optional | ✓ x 1 | ✓ x 1 |
| Overflow | Optional | Optional | Optional | Optional |
| Plug & Waste | Optional | Optional | Optional | Optional |

SHENSEKI

INSET BATH/SPA BATH WITH TILE BEAD - Premium Sanitary Grade Acrylic, High Gloss White



SPA BATH ORDER FORM

Spa baths made to order on receipt of order form. Please allow 15 working days for completion & dispatch. We recommend filling out your SPA BATH ORDER FORM with your qualified spa bath installer.

COMPANY & BRANCH: _____ PHONE NO: _____
 CONTACT: _____ ORDER NO: _____ DATE: _____

| | | | |
|---|---|---|--|
| MODEL: _____ | SIZE: _____ | QTY: _____ | RANGE SANTA I <input type="checkbox"/> CONTOUR <input type="checkbox"/> DOLCE VITA <input type="checkbox"/> |
| SANTA I SPA BATH UPGRADE OPTIONS | | | |
| PUMP UPGRADE - Manual Xtra-Heat Boost Pump (RRP \$215) <input type="checkbox"/> | PUMP UPGRADE - Sensa-Touch Pad Control 3-Stage Heat (RRP \$425) <input type="checkbox"/> | | |
| EZI FRAME - Supplied <input type="checkbox"/> Factory Fitted <input type="checkbox"/> | BASE SUPPORT FRAME - Factory Fitted <input type="checkbox"/> Overflow <input type="checkbox"/> | | |
| HEADRESTS - White QTY: _____ Black QTY: _____ (RRP \$99 each) | | | |
| CONTOUR SPA BATH UPGRADE OPTIONS | | | |
| EZI FRAME - Supplied <input type="checkbox"/> Factory Fitted <input type="checkbox"/> | BASE SUPPORT FRAME - Factory Fitted <input type="checkbox"/> Overflow <input type="checkbox"/> | | |
| HEADREST COLOUR - White <input type="checkbox"/> Black <input type="checkbox"/> | | | |
| DOLCE VITA SPA BATH OPTIONS | | | |
| JET COLOUR - Chrome <input type="checkbox"/> White <input type="checkbox"/> Black <input type="checkbox"/> | | | HEADREST COLOUR - White <input type="checkbox"/> Black <input type="checkbox"/> |
| SPA PUMP NOTES | | | |
| 1. The Spa Pump does not fit directly underneath the baths perimeter | | 2. The Spa Pump should be easily accessible for maintenance | |
| 3. Waste positions can not be changed | | 4. The Spa Pump controls will always be at the front, unless indicated below | |
| PLEASE INDICATE ON THE DIAGRAMS BELOW: (please refer to the technical drawings before choosing your pump position) | | | |
| SHOWER HEAD POSITION (if applicable) The Spa Pump controls CAN NOT be on the same end as the shower head. | | SPA PUMP POSITION (300mm of pipework is supplied) The recommended max. distance between the bath & spa pump is 1.2 metres. Is the distance between the bath and the spa pump over 300mm YES <input type="checkbox"/> NO <input type="checkbox"/> If YES how much extra pipework is required _____ | |
| | | | |

CUSTOMER NAME: _____ CUSTOMER SIGNATURE: _____
 CUSTOMER EMAIL: _____ CUSTOMER PHONE NO: _____

*Whilst every effort is made to adhere to published jet & fittings positions, variation to specifications may occur without notice.