



PHOENIX

SPECIFICATIONS

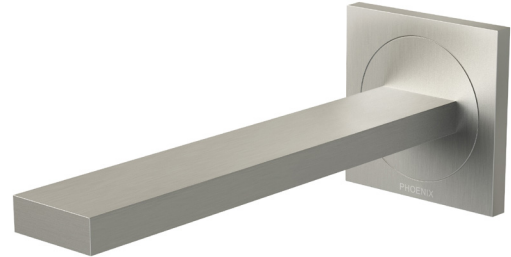
ORTHO

WALL BASIN / BATH OUTLET 200MM

PRODUCT CODE: 100-7620-44
 FINISH: MATTE BRUSHED NICKEL
 WELS: 5 STAR - 6.0 LT/MIN

INFORMATION:

TEMPERATURE RATING: MIN 1° - MAX 75°
 PRESSURE RATING: MIN 150 kPa - MAX 500 kPa

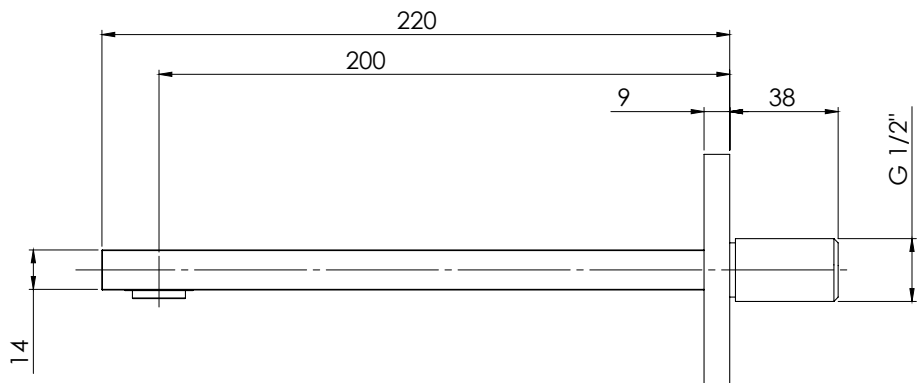
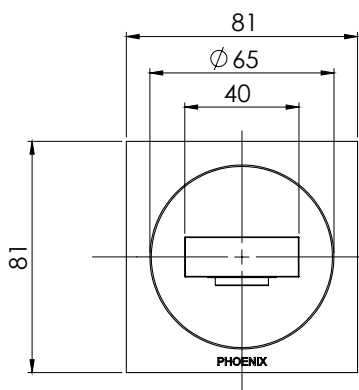


AVAILABLE IN:



CHROME MATTE
 BRUSHED
 NICKEL

FOR MORE INFORMATION VISIT
www.phoenixtapware.com.au



PLEASE [CLICK HERE](#) TO VIEW FULL WARRANTY

While we aim to ensure the specifications shown are correct at time of printing, Phoenix Tapware reserves the right to make modifications without prior notice. Always use the physical product measurements for mark-ups and roughing-in as the line drawing shown may differ from the actual product over time. All measurements are shown in millimetres.

A Registered Design and Trademark of Phoenix Industries Pty. Ltd
 V260618

www.phoenixtapware.com.au
 03 9780 4200



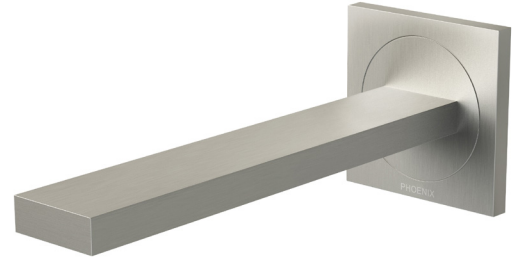
PHOENIX

SPECIFICATIONS

ORTHO

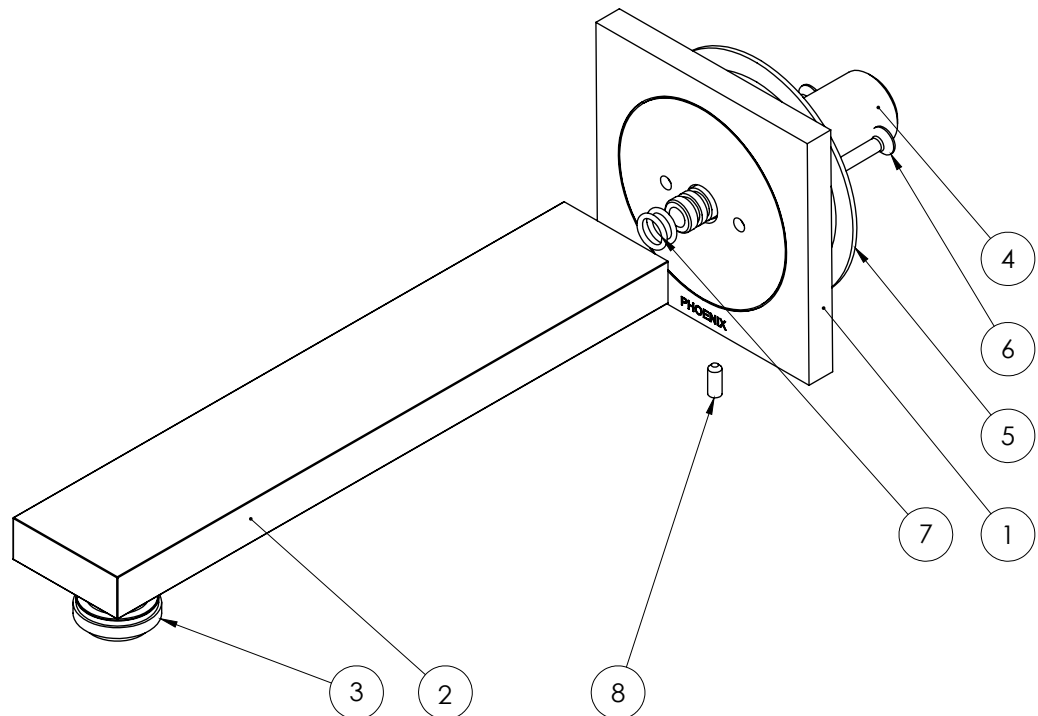
WALL BASIN / BATH OUTLET 200MM

PRODUCT CODE: 100-7620-44
FINISH: MATTE BRUSHED NICKEL
WELS: 5 STAR - 6.0 LT/MIN



PARTS LIST

1. MOUNTING PLATE
2. 200MM WALL SPOUT
3. AERATOR
4. SPIGOT
5. ADJUSTMENT FLANGE GASKET
6. SCREW M4X20
7. O-RING 8X1.5
8. GRUB SCREW M4X10



MAINTENANCE AND CARE:

- All surfaces should be cleaned with mild liquid detergent or soap and water.
- Do not use cream cleaners or citrus based cleaning products, as they are abrasive.
- Use of unsuitable cleaning agents may damage the surface. Any damage caused in this way will not be covered by warranty.

PACKAGING INCLUDES

- 1 x Wall basin / bath outlet 200mm
- 1 x 7lt/min aerator to convert to basin outlet
- 1 x Outlet elbow
- 1 x Installation kit
- 1 x Installation instructions
- 1 x Warranty card

PLEASE [CLICK HERE](#) TO VIEW FULL WARRANTY

While we aim to ensure the specifications shown are correct at time of printing, Phoenix Tapware reserves the right to make modifications without prior notice. Always use the physical product measurements for mark-ups and roughing-in as the line drawing shown may differ from the actual product over time. All measurements are shown in millimetres.

A Registered Design and Trademark of Phoenix Industries Pty. Ltd
V260618

www.phoenixtapware.com.au
03 9780 4200