
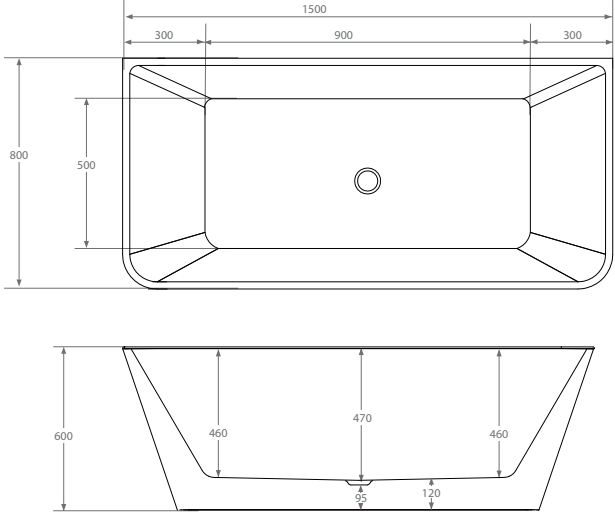




VISTA 1500 BTW FREESTANDING BATH

Product Image	Technical Specification
	
<p>Please allow a 1-3mm tolerance on all measurements.</p>	

Description	Additional Information
<p>Vista 1500 BTW Freestanding Bath</p> <p>FS830115 1500 x 800 x 600mm</p>	<ul style="list-style-type: none"> Lucite-Sanitary grade acrylic No overflow Gloss Finish - Anti Yellowing Waste not included Reinforced waste area Solid base support system Stainless Steel adjustable feet Fully enclosed back Bath weight 60kg

