

Data Sheet: SNE 5



› SNE 5 AU



- › Electronic display and control
- › LCD displays current temperature and heating/timer information
- › Made in Germany
- › Additional timer and ECO function for greater savings
- › Easy under sink installation
- › Must be used with specialised STIEBEL ELTRON open vented sink mixer



SNE 5

OPEN VENTED COMPACT STORAGE WATER HEATER

Suitable for supplying hot water to individual draw-off points, e.g. a kitchen sink. The SNE is a premium offering over other open vented water heaters in the STIEBEL ELTRON range. With the addition of a digital display and new features, including timing and ECO functions for even greater savings.

	PREMIUM	
Model	SNE 5	
	201394	
Tank capacity	L	5
Rated output (240 V)	kW	2.2
Rated current (240 V)	A	9.1
Connection	1/N/PE	
Fuse protection	A	10
Electrical installation	As per AS/NZS3000	
Installation requirements	AS/NZS3500.4.2 & local requirements	
Temperature settings	°C	30-85
Mixed water volume at 40 °C	L	10
Water connection	G 3/8 A	
Max. appliance permissible pressure	kPa	0
Max. tapware permissible pressure	kPa	500
Standby energy consumption / 24 h at 65 °C	kWh	0.20
IP rating	IP24 D	
Height	mm	421
Width	mm	263
Depth	mm	230
Weight	kg	3.0
Colour	White	
Approvals	WaterMark Lic No. WMKA00301. AS3498	

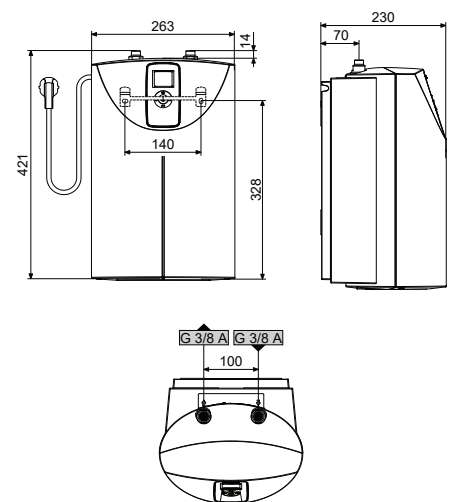
The SNE under sink point of use water heater is open vented and must be installed with a STIEBEL ELTRON open vented tap. Not suitable for installation at a basin as a tempering valve or TMV cannot be fitted with this water heater.



SNE 5



SNE 5 Premium Display



SNE 5 Dimensions

STIEBEL ELTRON is committed to our policy of continual improvement, some features may have subsequently been changed or even removed. Our advisors will be happy to consult with you regarding the currently applicable equipment features. The images used in this data sheet are for reference only.