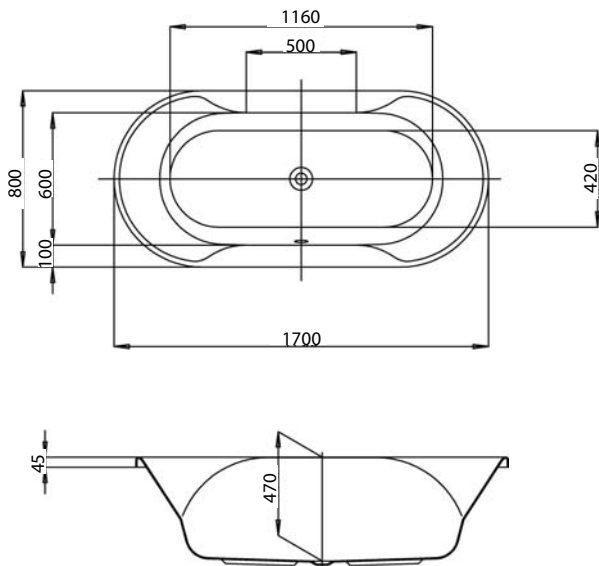




## Spectra 1700 Inset Bath

**Product Code: HO6480**

The Spectra bath is ideal for comfort-seeking connoisseurs due to the comfortable back rests that transition into the side walls plus its generous width and depth.



### Specifications

<b>Material</b>	—	First grade cast acrylic
<b>Colour / Finish</b>	—	White / Gloss
<b>Water Capacity</b>	—	150L
<b>W x D x H</b>	—	1700 x 800 x 470m
<b>Plug &amp; Waste</b>	—	Overflow plug & waste assembly included
<b>Waste Outlet</b>	—	Centred
<b>Warranty</b>	—	2 years parts & labour, further 13 years parts only

**HOESCH**

