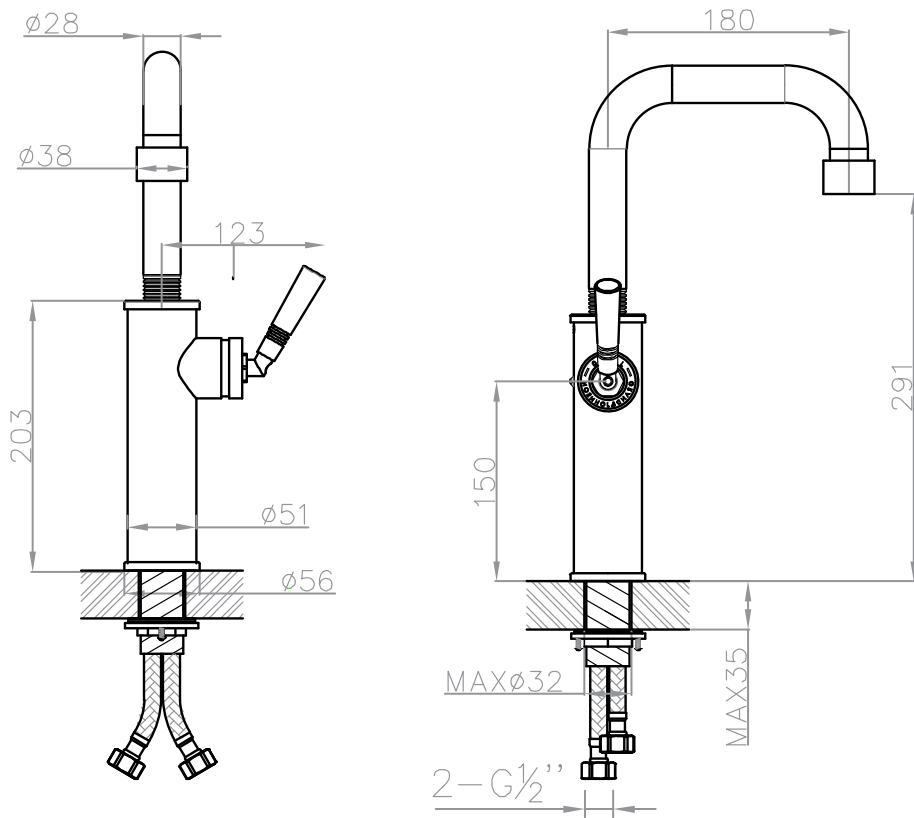
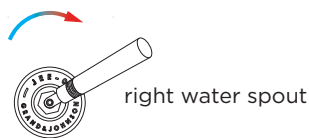
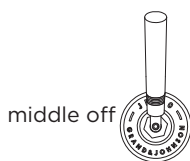




# JEE-O soho basin/kitchen mixer specifications



Note:  
UV radiation and extreme temperature can affect the color and structure of the JEE-O soho basin surface.



Article code:

**700-1750**

● Brushed stainless steel - **RAW**

**700-1752**

● Hammercoated black matt

**700-1758** green RAL 6003

● Powder coating matt

**700-1759** grey RAL 7040

● Powder coating matt

Material:

Stainless Steel r304

Coating:

1.5 Electro powder spray

Cartridge:

Sedal ceramic mixing mechanism (progressive),  
item code **005-0105**

Cleaning:

cleaning vinegar or alcohol

Flow at water of 38°C/100,4°F:

8l /2,1gal p/m at 3bar pressure

Connection:

2 x G 1/2" (ø15mm / 0.6" )  
nylon<sup>(out)</sup>/epdm<sup>(in)</sup> flexhose  
with brass swivel  
British Standard Pipe (BSP)

Thread:

Dimension package:

L 56 x W 35 x H 17 cm

Total weight:

3.2 kg

Package weight:

0.9 kg

2 year warranty

HS code:

84818011

Approvals:

SLS BS EN 817, SS 375,  
AS/NZS 4020, BS EN

