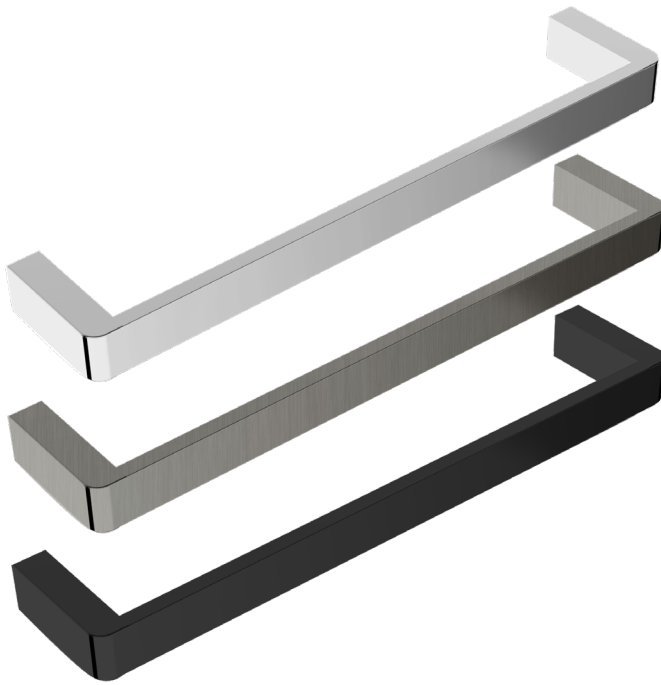
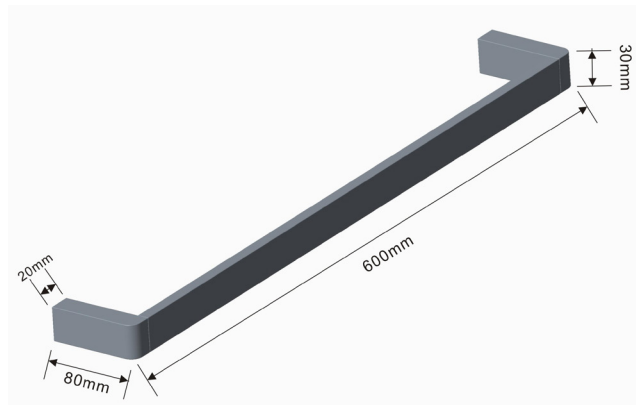




MONDRIAN NEU 600 TOWEL RAIL

Product Image	Technical Specification
	

Description
<p>Mondrian Neu 600 Towel Rail</p> <p>AR93624 Chrome AR93624MB Matte Black AR93624BN Brushed Nickel</p>

Additional Information
<ul style="list-style-type: none"> • 5 year warranty • Dual Fixing

