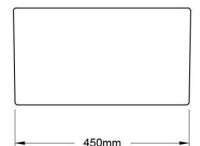
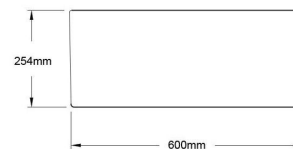
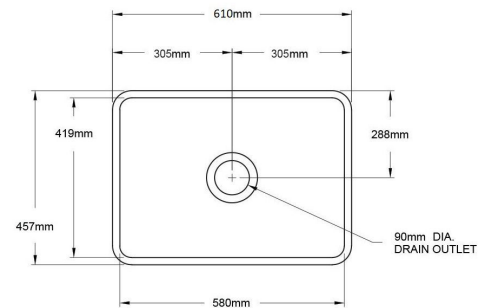


Novi 60 x 46 Fine Fireclay Matte Black Butler Sink

Code: NO60FS-MB



Specifications

- Material: Fine Fireclay
- Finish: Matte Black
- Waste Outlet Included: 90x50mm Basket Waste
- Mounting options: Butler (front showing), Counter Top (glazed on all 4 sides), Under Counter (framework required)
- Capacity: 51L
- Suitable for use with food waste disposer – we recommend purchase of an extended flange and a model with anti-vibration collar
- This sink is reversible, so it can be installed with flat or ribbed/farmhouse side facing out.
- Fine Fireclay is a natural product and therefore subject to variations. This should be seen as a quality that adds to its unique natural beauty. Variations +/- 2% to the specifications are common and acceptable and are within industry tolerance. We always recommend the cabinet maker and stone provider has the actual sink with them to measure before making cabinetry or cutting stone. For more information please visit our Installation, Care & Warranty page, or Contact Us.

Product Options

NO60SSG : Novi 60 x 46 Stainless Steel Grid

NO60FS-MB: Novi 60 x 46 Fine Fireclay Butler Sink

Warranty

For peace of mind this product is covered with a Lifetime Guarantee.