



PHOENIX

SPECIFICATIONS

VIVID SLIMLINE

SHOWER/BATH DIVERTER MIXER

PRODUCT CODE: VS791 MB
 FINISH: MATTE BLACK
 WELS: N/A

INFORMATION:

MATERIAL: BRASS
 TEMPERATURE RATING: MIN 1° - MAX 75°
 PRESSURE RATING: MIN 150 kPa - MAX 500 kPa

CONSUMER UNIT:

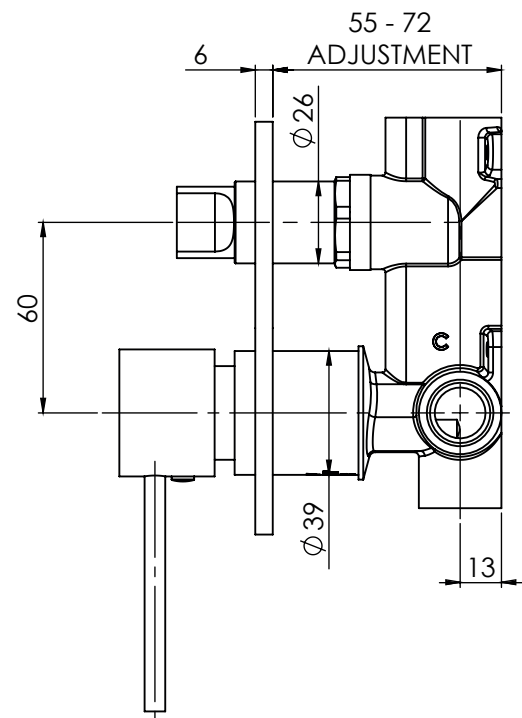
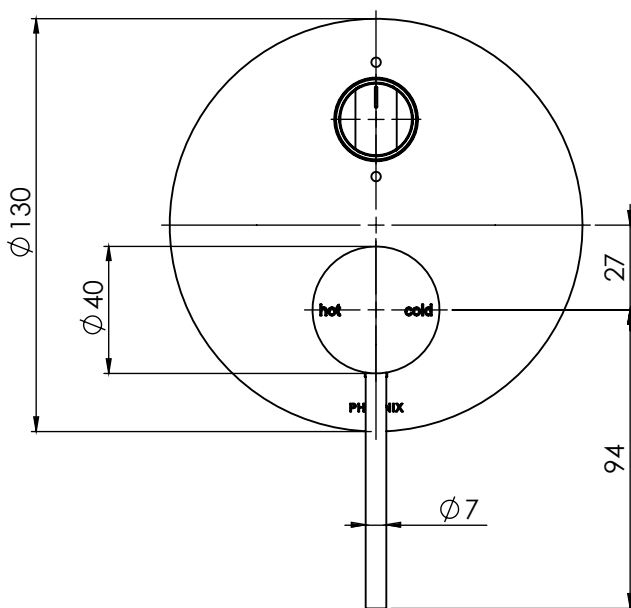
SIZE: L 190MM x W 140MM x H 75MM
 GROSS WEIGHT: 1.5 KG
 BARCODE EAN-13: 9 320594 021 450



ALSO AVAILABLE IN:



FOR MORE INFORMATION VISIT www.phoenixtapware.com.au



PLEASE [CLICK HERE TO VIEW FULL WARRANTY](#)

While we aim to ensure the specifications shown are correct at time of printing, Phoenix Tapware reserves the right to make modifications without prior notice. Always use the physical product measurements for mark-ups and roughing-in as the line drawing shown may differ from the actual product over time. All measurements are shown in millimetres.

www.phoenixtapware.com.au
03 9780 4200



VIVID SLIMLINE

SHOWER/BATH DIVERTER MIXER

PRODUCT CODE:

VS791 MB

FINISH:

MATTE BLACK

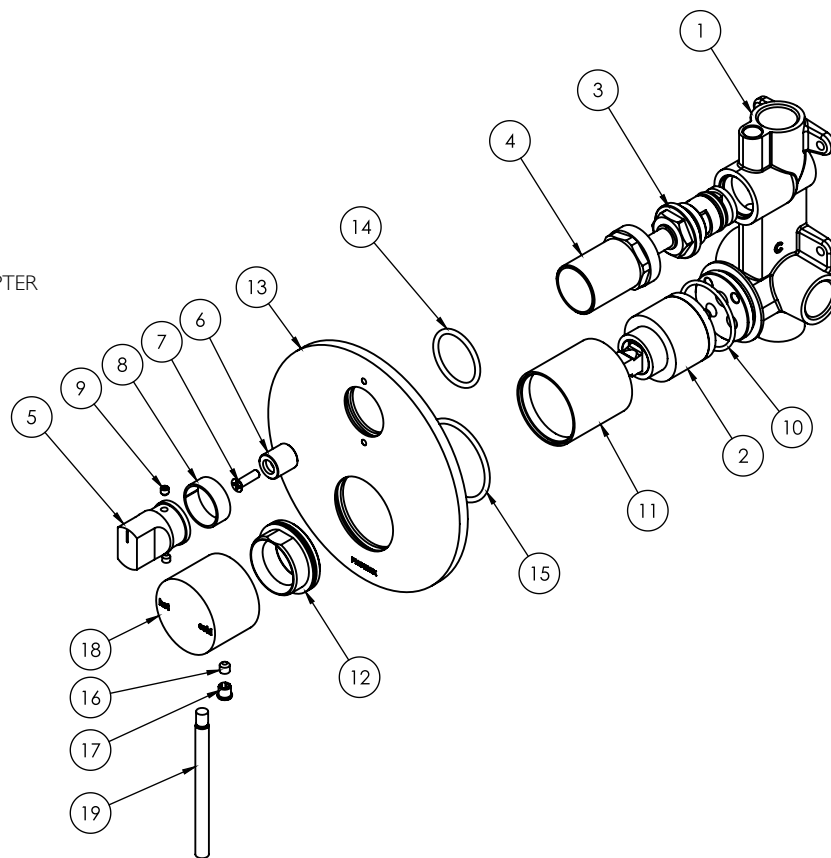
WELS:

N/A



PARTS LIST

1. DIVERTER BREACH
2. 35MM CARTRIDGE
3. BRASS DIVERTER CARTRIDGE
4. ROTARY DIVERTER SLEEVE
5. ROTARY DIVERTER BUTTON
6. ROTARY DIVERTER SPINDLE ADAPTER
7. SCREW
8. NYLON BEARING
9. GRUB SCREW M4X4MM
10. O-RING 33X2.0MM
11. MIXER SLEEVE
12. MIXER LOCKNUT
13. BACK PLATE
14. O-RING 26X2.5MM
15. O-RING 39X2.5MM
16. GRUB SCREW M5X5MM
17. SCREW CAP
18. MIXER HANDLE
19. PIN LEVER



MAINTENANCE AND CARE:

- All surfaces should be cleaned with mild liquid detergent or soap and water.
- Do not use cream cleaners or citrus based cleaning products, as they are abrasive.
- Use of unsuitable cleaning agents may damage the surface. Any damage caused in this way will not be covered by warranty.

PACKAGING INCLUDES

- 1 x Shower/bath diverter mixer
- 1 x Installation kit
- 1 x Installation instructions
- 1 x Warranty card

PLEASE [CLICK HERE](#) TO VIEW FULL WARRANTY

While we aim to ensure the specifications shown are correct at time of printing, Phoenix Tapware reserves the right to make modifications without prior notice. Always use the physical product measurements for mark-ups and roughing-in as the line drawing shown may differ from the actual product over time. All measurements are shown in millimetres.

www.phoenixtapware.com.au
03 9780 4200