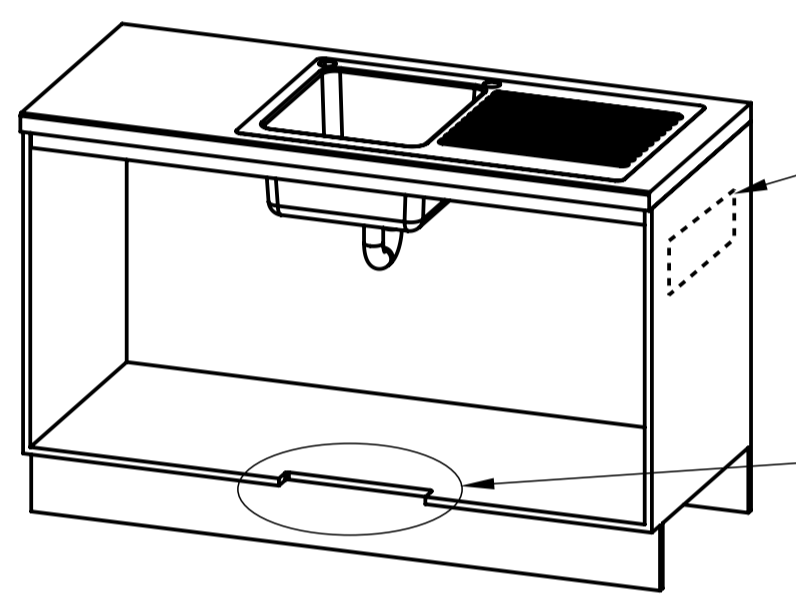
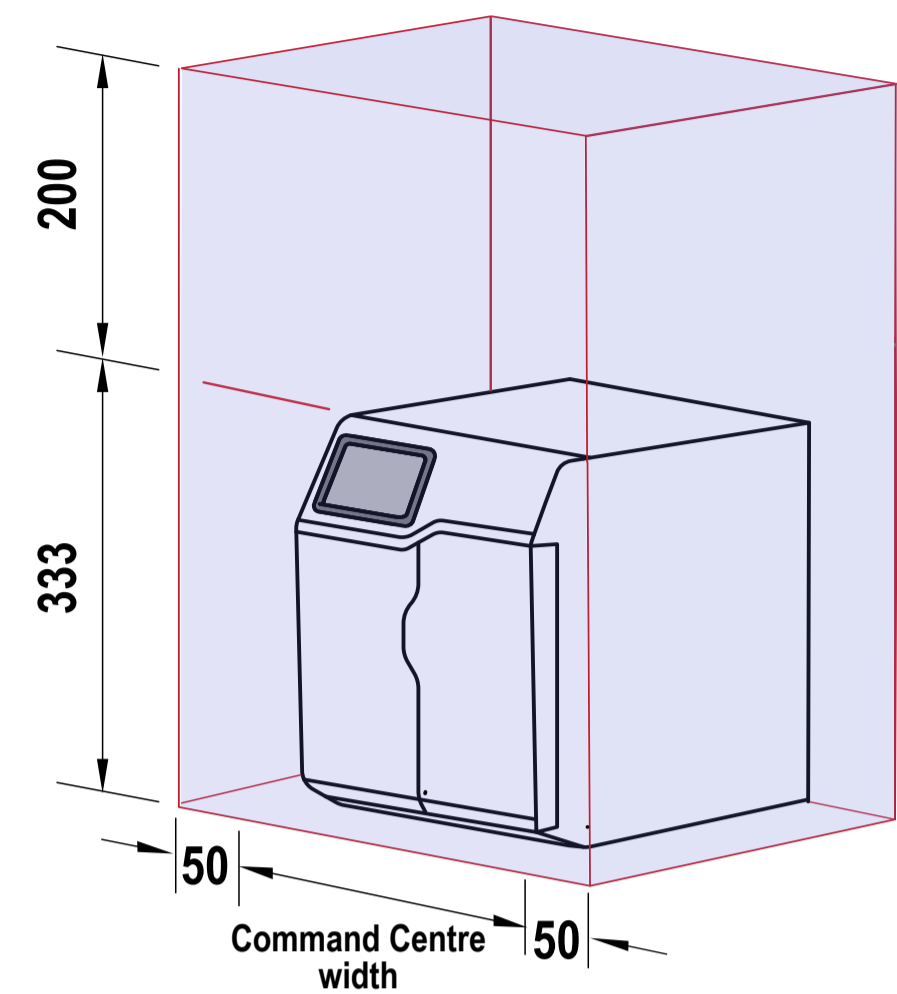


**Ventilation requirements** Contact your local service provider if ventilation is not suitable

**Clearance envelope**

Position the Tap and the Command Centre as close together as possible.

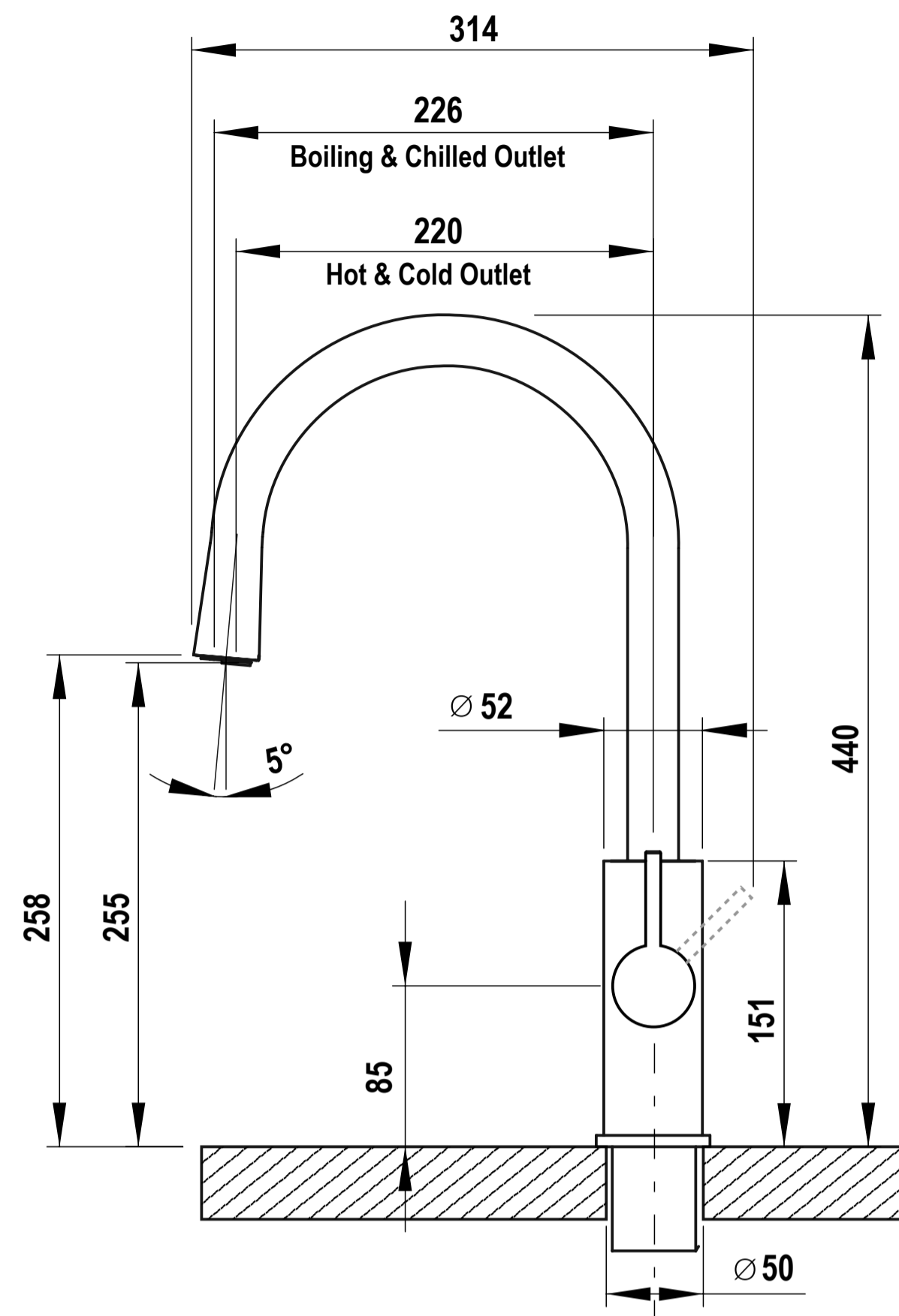


Air outlet louvre (if required)  
Cut-out in door/wall, towards the top of the cabinet

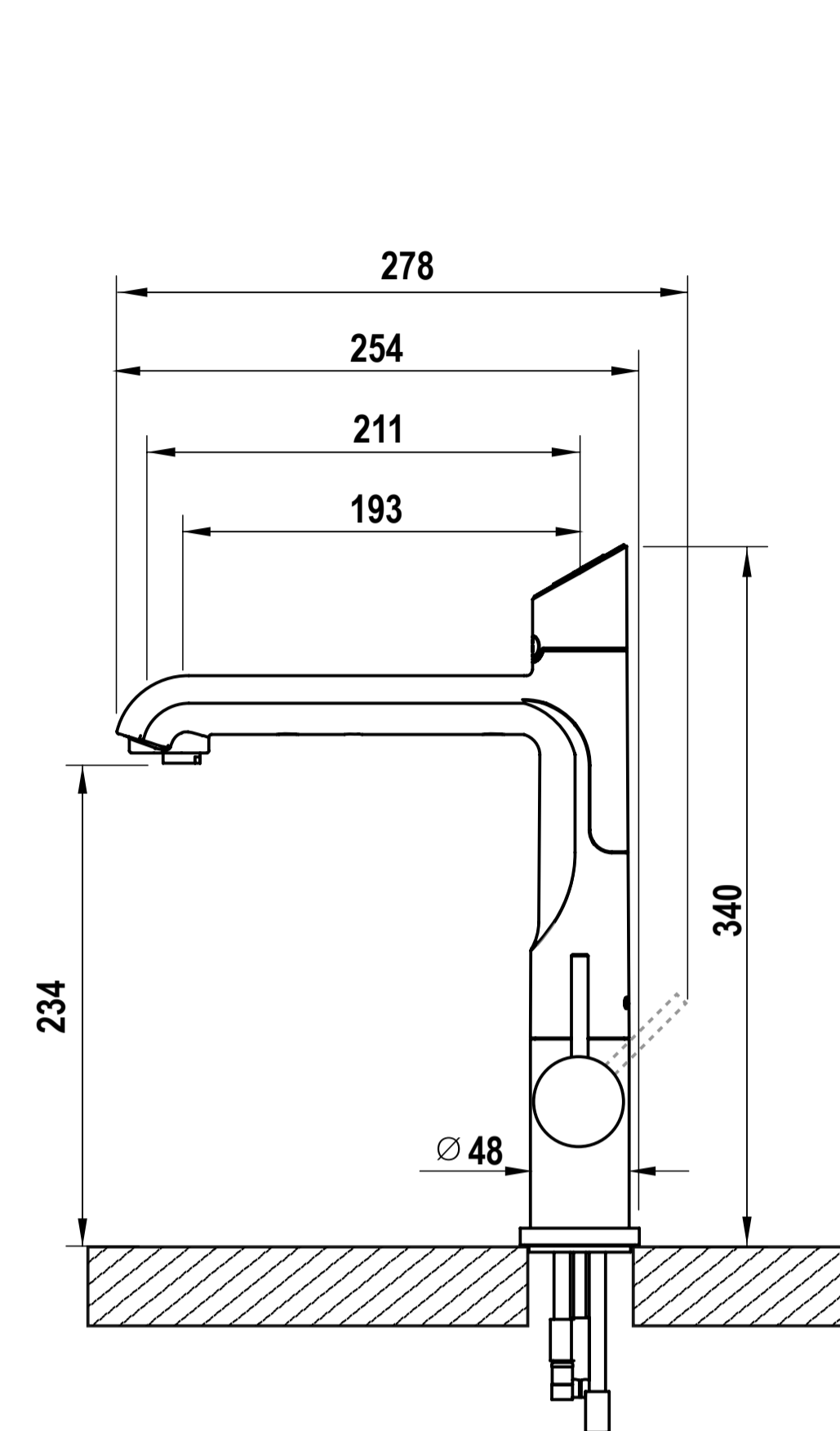
Air inlet cut-out (required)  
Cut-out in cabinet floor

**HydroTap Tap options**

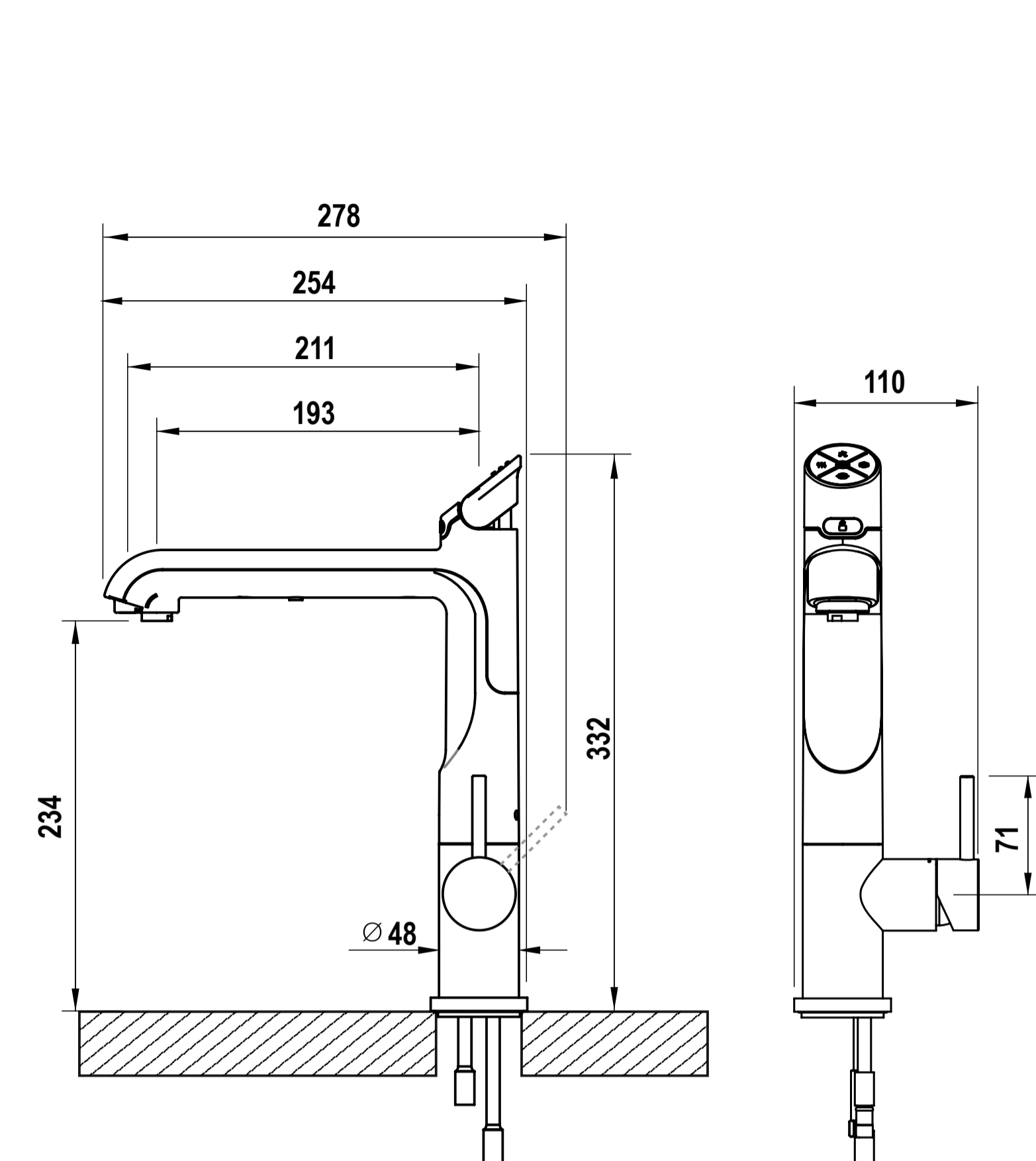
**Celsius All-in-One Arc Tap**



**Classic Plus All-in-One Tap**

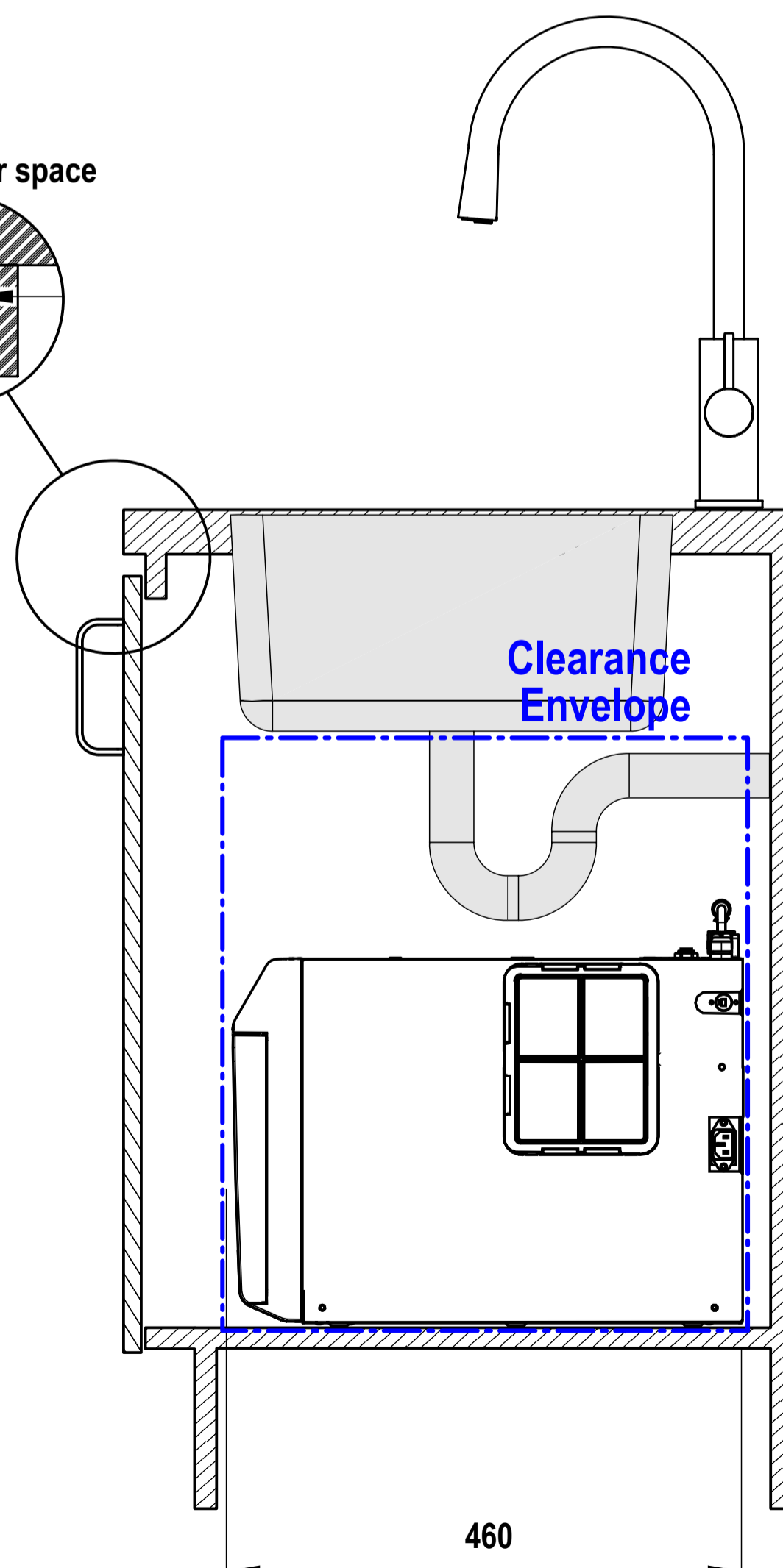
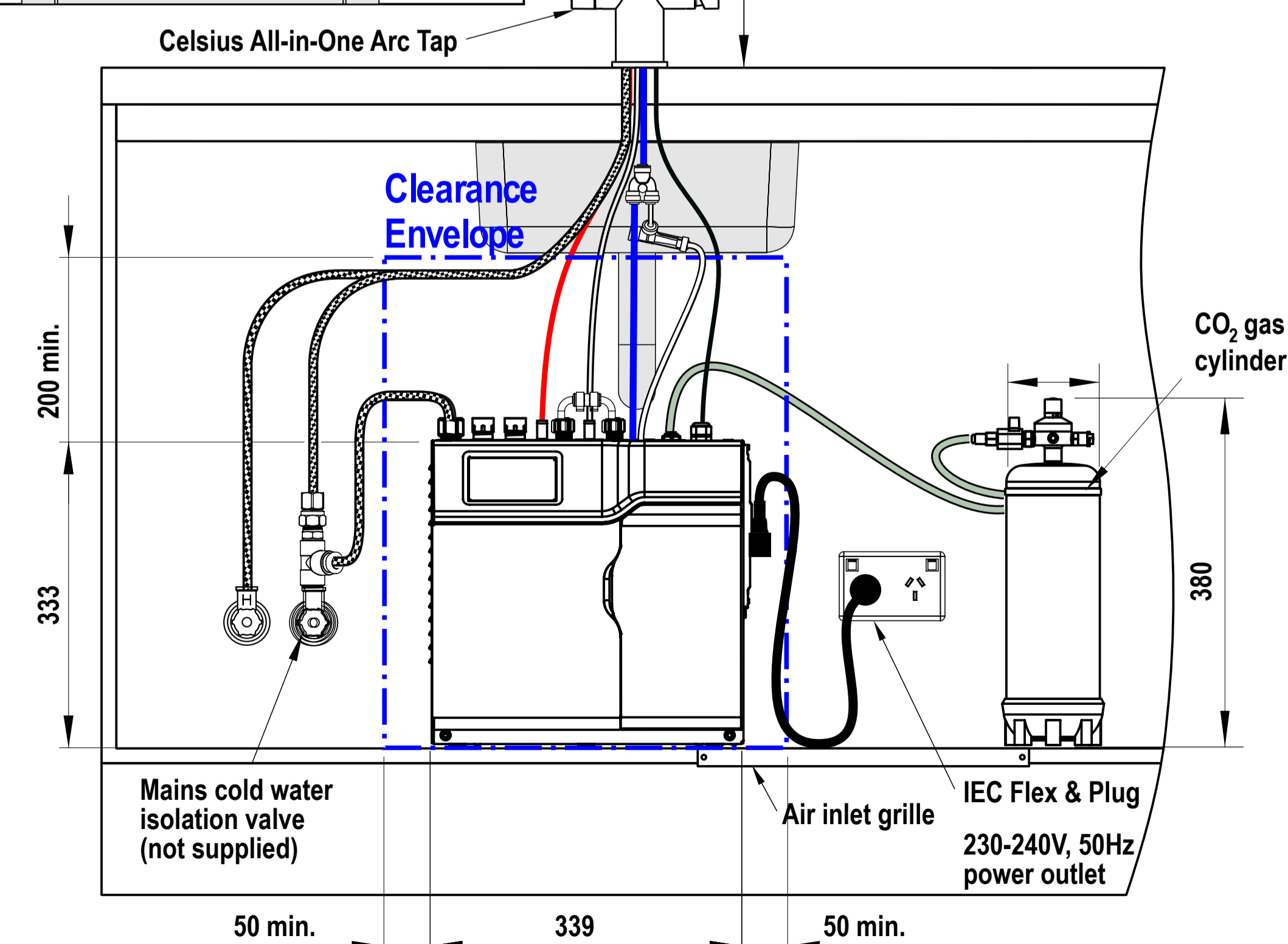
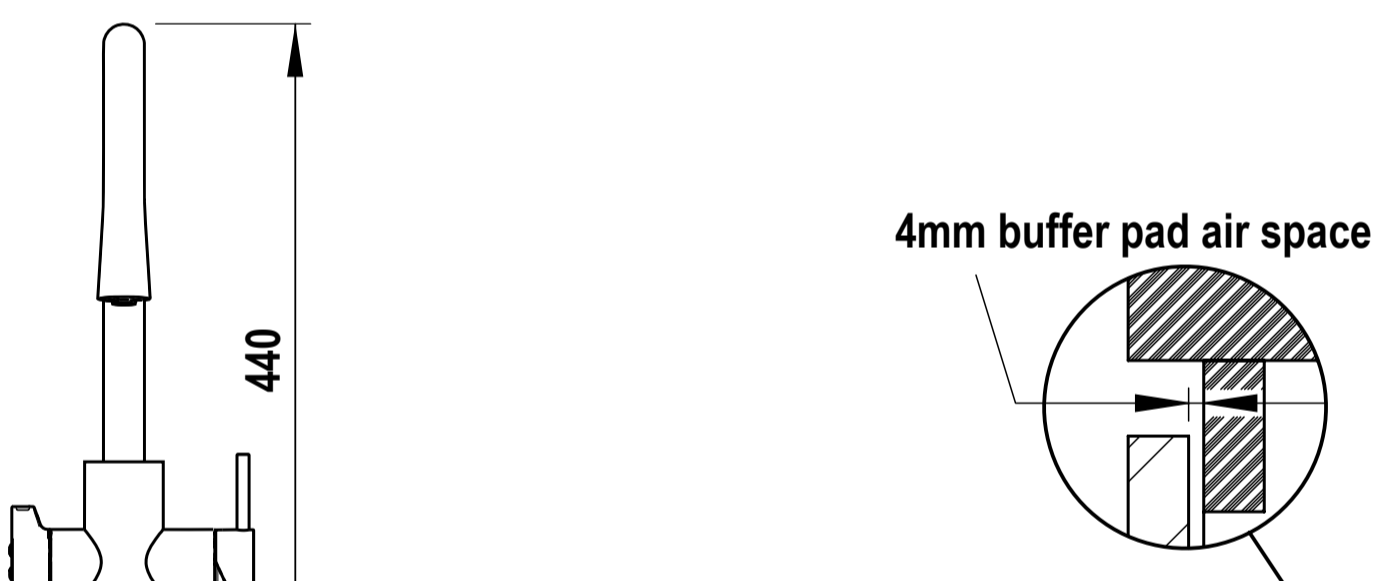
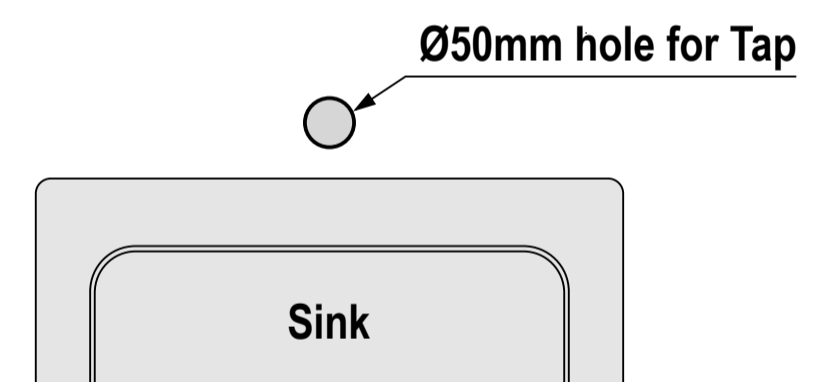


**Classic All-in-One Tap**



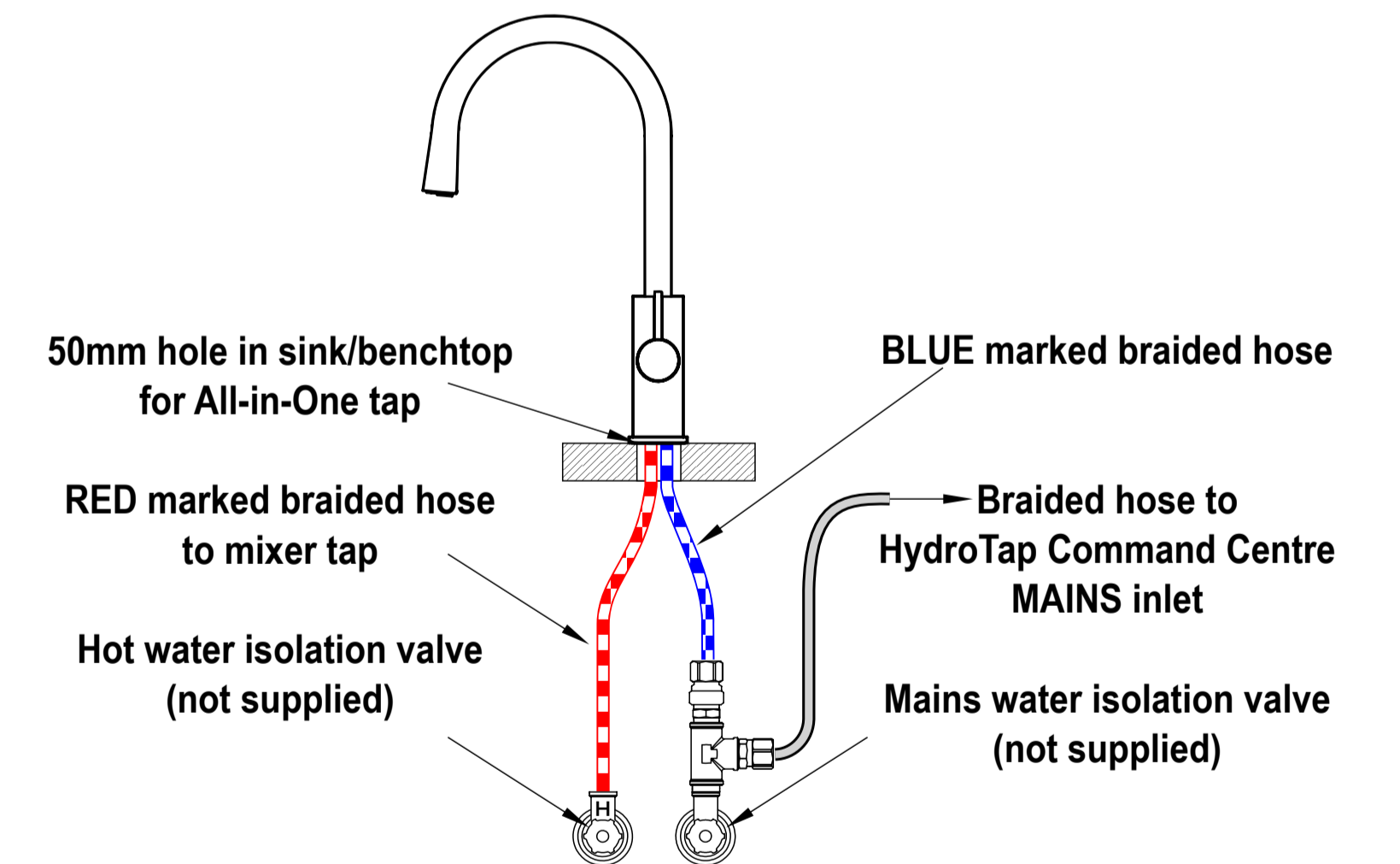
**Tap Positioning**

Position the Tap to dispense into the sink, allowing clearance for a cup or teapot.



**Mains hot water supply installation**

Hot and cold water supply required



**HydroTap G5  
BCS Home**

shown with Celsius All-in-One Arc Tap