



PHOENIX

SPECIFICATIONS

VIVID SLIMLINE

FLOOR MOUNTED BATH MIXER

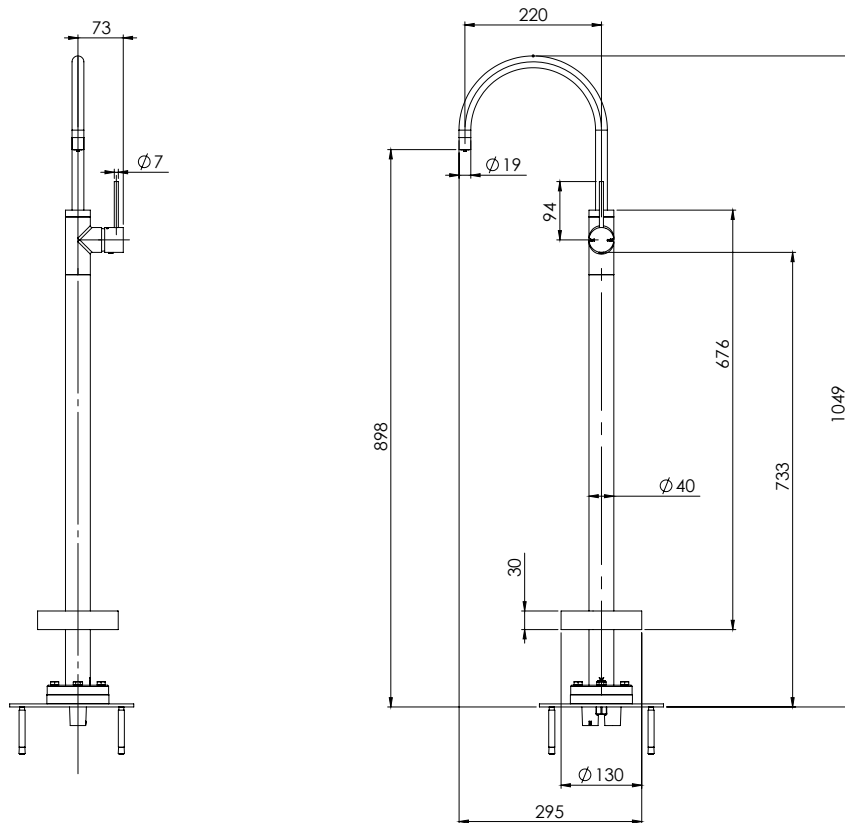
PRODUCT CODE: VS745-12
 FINISH: BRUSHED GOLD
 WELS: N/A

INFORMATION:

TEMPERATURE RATING: MIN 1° - MAX 75°
 PRESSURE RATING: MIN 150 kPa - MAX 500 kPa



FOR MORE INFORMATION VISIT
www.phoenixtapware.com.au



PLEASE [CLICK HERE](#) TO VIEW FULL WARRANTY

While we aim to ensure the specifications shown are correct at time of printing, Phoenix Tapware reserves the right to make modifications without prior notice. Always use the physical product measurements for mark-ups and roughing-in as the line drawing shown may differ from the actual product over time. All measurements are shown in millimetres.

www.phoenixtapware.com.au
 03 9780 4200



PHOENIX

SPECIFICATIONS

VIVID SLIMLINE

FLOOR MOUNTED BATH MIXER

PRODUCT CODE:

VS745-12

FINISH:

BRUSHED GOLD

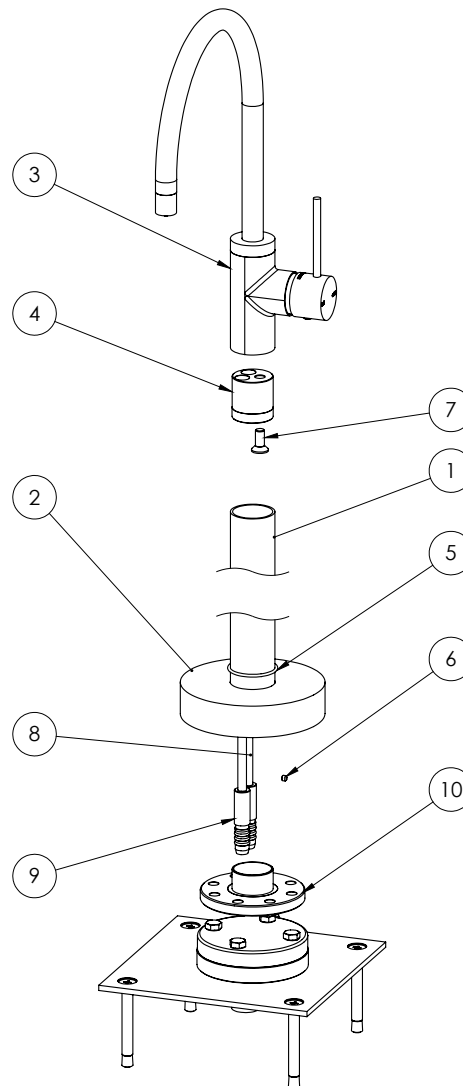
WELS:

N/A



PARTS LIST

1. MIXER TUBE
2. COVER PLATE
3. SIDE LEVER HANDLE
4. TUBE ADAPTOR
5. O-RING 40X2.5
6. GRUB SCREW M5X4
7. SCREW
8. COPPER TUBE EXTENSION COLD
9. COPPER TUBE EXTENSION HOT
10. MOUNTING PLATE



MAINTENANCE AND CARE:

- All surfaces should be cleaned with mild liquid detergent or soap and water.
- Do not use cream cleaners or citrus based cleaning products, as they are abrasive.
- Use of unsuitable cleaning agents may damage the surface. Any damage caused in this way will not be covered by warranty.

PACKAGING INCLUDES

- 1 x Floor mounted mixer
- 1 x Installation kit
- 1 x Installation instructions
- 1 x Warranty card

PLEASE [CLICK HERE](#) TO VIEW FULL WARRANTY

While we aim to ensure the specifications shown are correct at time of printing, Phoenix Tapware reserves the right to make modifications without prior notice. Always use the physical product measurements for mark-ups and roughing-in as the line drawing shown may differ from the actual product over time. All measurements are shown in millimetres.

www.phoenixtapware.com.au
03 9780 4200