

STS2500BM

Electronic Wall Mounted Tap

6 Star 6lpm

SMARTEC Electronic Single Temperature Wall Mounted Tap - Mains and Battery Powered

Technical Information:

Material	Brass/ Plastic Solenoid Valve
Inlet Valve	15mm Flexible Connection
Outlet	15mm Aerator
Working Pressures	50kpa - 500kpa
Max Working Temp.	50°C
Valve	6 Volts Solenoid Valve (15mm conn)
Finish	Chrome Plated
Servicing	Regular Maintenance
Warranty	2 Years*

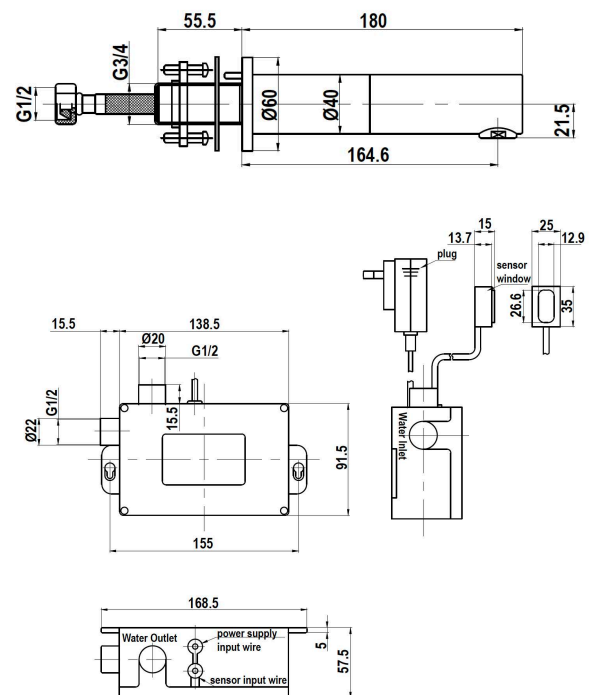


STS2500B Electronic Single Temperature Wall Mounted Tap - Battery Powered

STS2500M Electronic Single Temperature Wall Mounted Tap - Mains Powered

Features:

- Run time, sensitivity and dead flush are programmable by remote control
- Extension leads available
- Supplied with inlet strainer and flow controller
- Digital Technology in sensor
- IP rated control box enclosure houses the solenoid valve and waterproof connections
- Battery or Mains options also available (Can be changed after installation)
- Simple installation
- Recommended for all projects



All measurements are in millimetres and are to be used as a guide only.
*Subject to terms and conditions, available at www.gentecaustralia.com.au