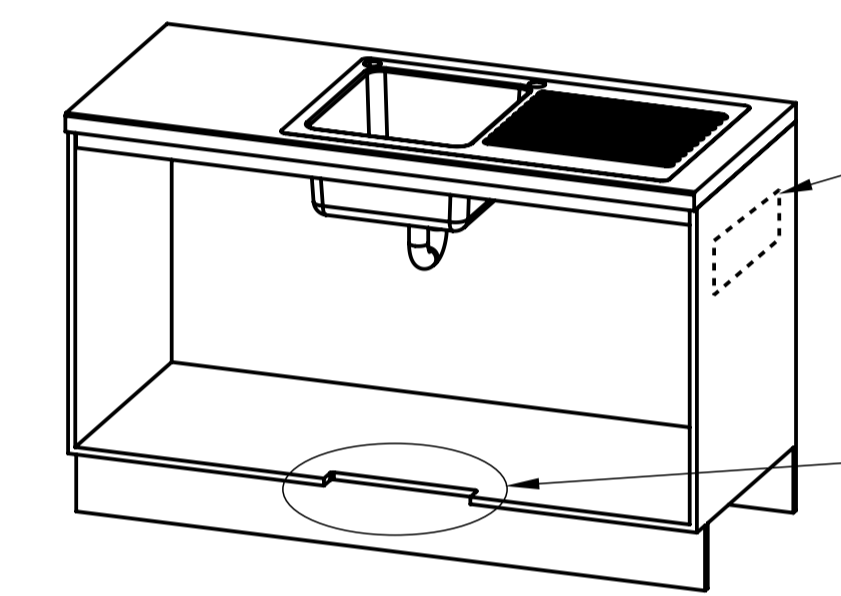
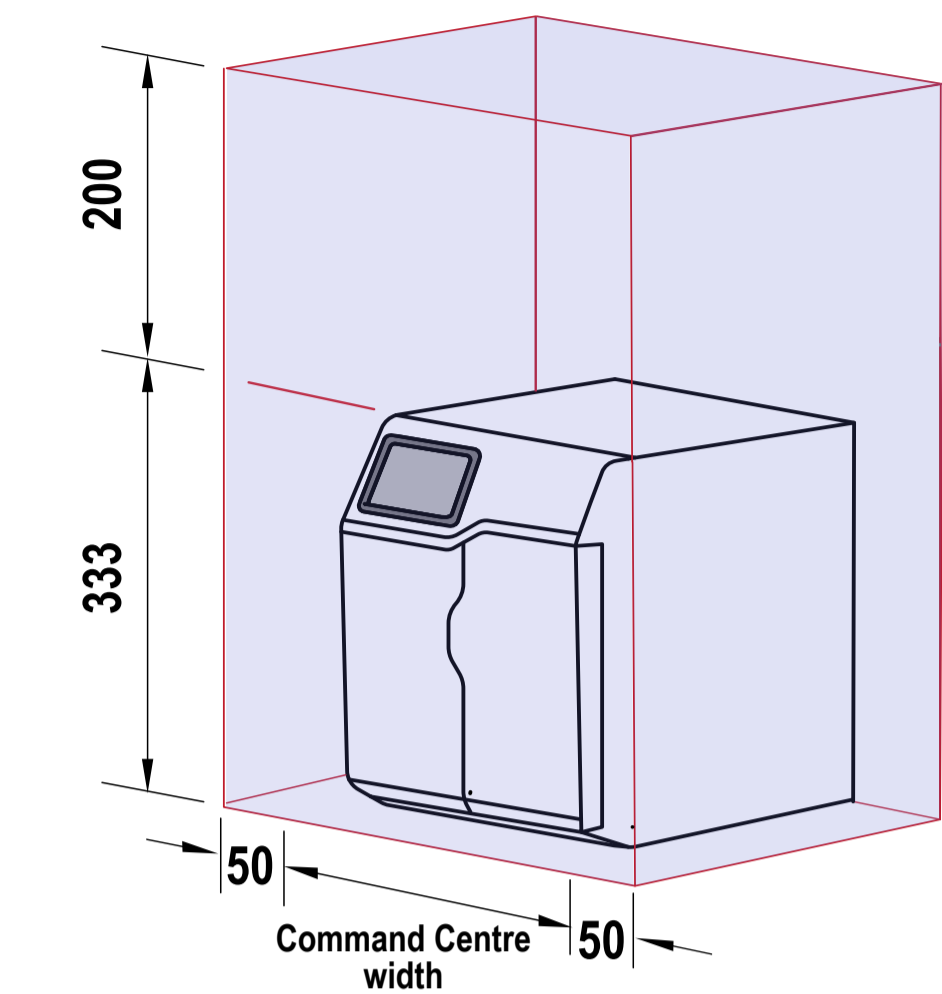


Ventilation requirements Contact your local service provider if ventilation is not suitable

Clearance envelope

Position the Tap and the Command Centre as close together as possible.

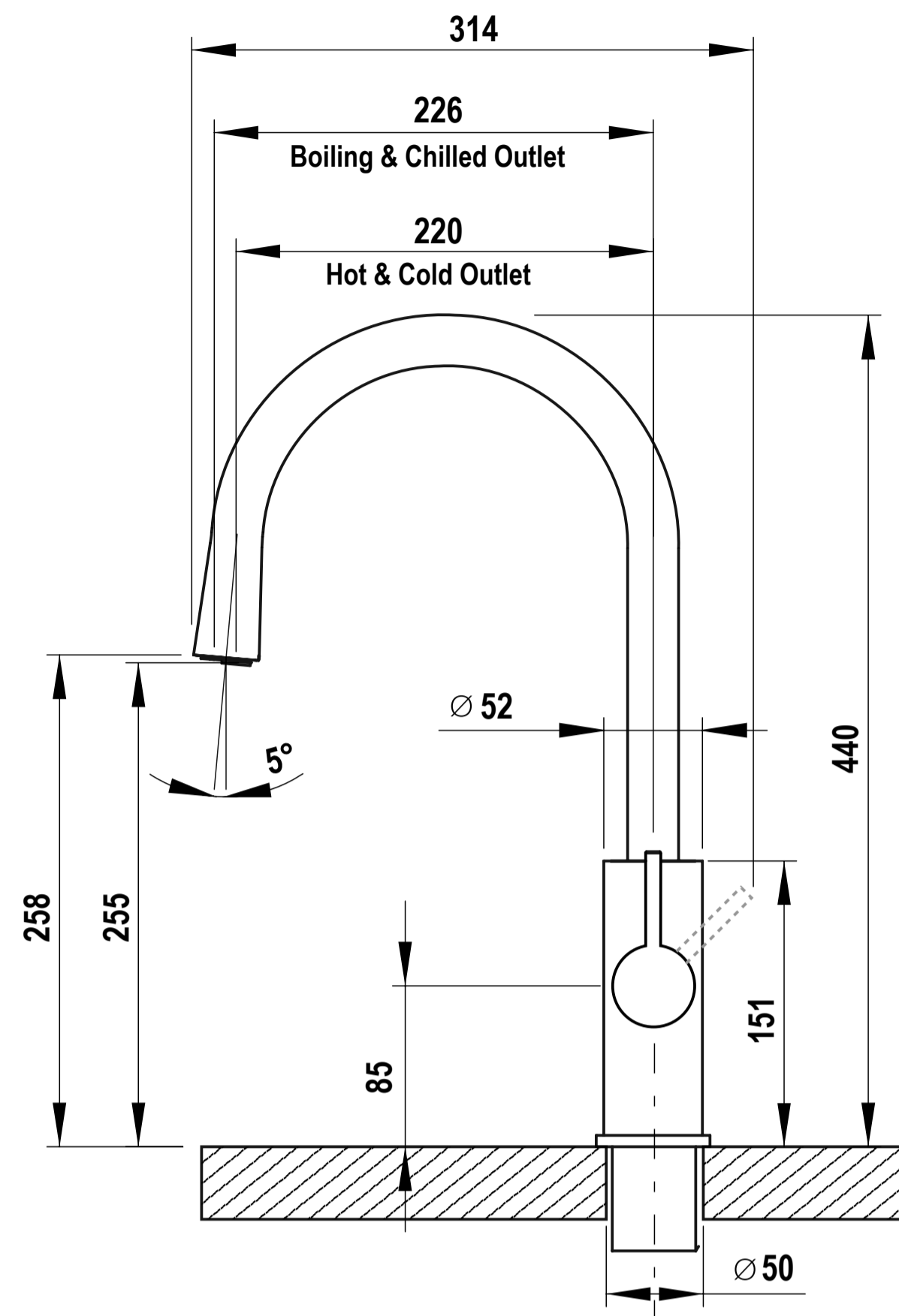


Air outlet louvre (if required)
Cut-out in door/wall, towards the top of the cabinet

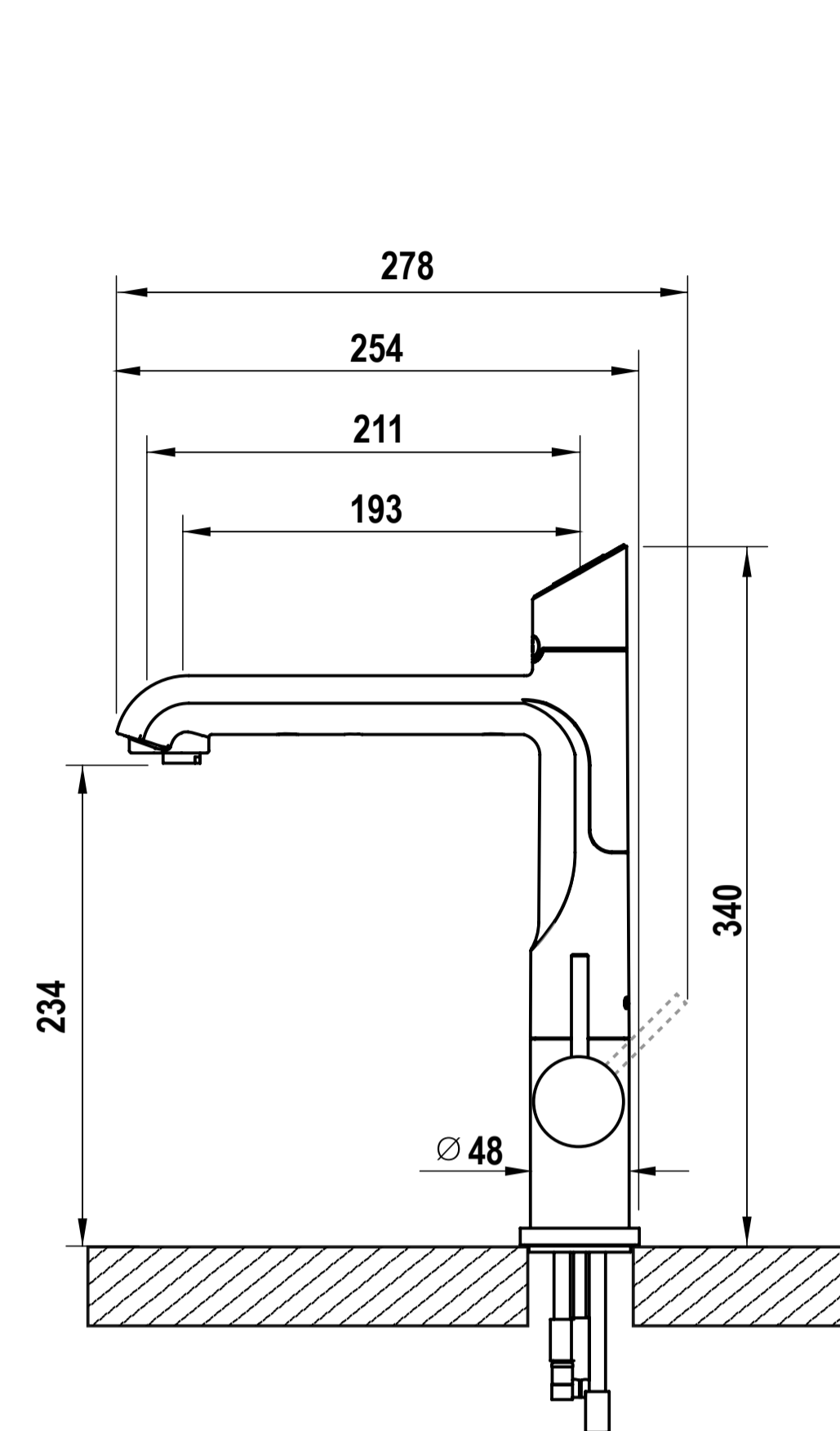
Air inlet cut-out (required)
Cut-out in cabinet floor

HydroTap Tap options

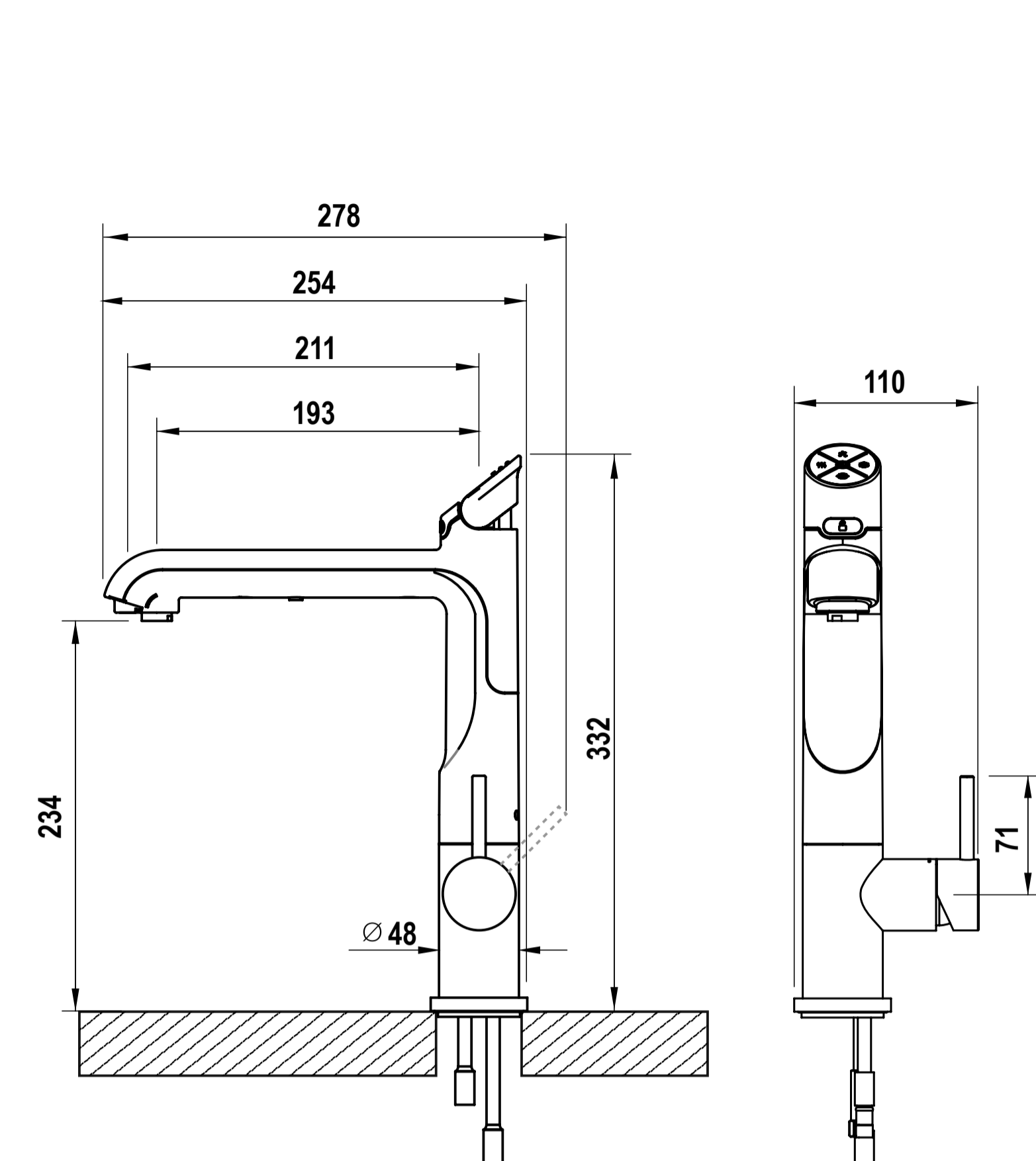
Celsius All-in-One Arc Tap



Classic Plus All-in-One Tap

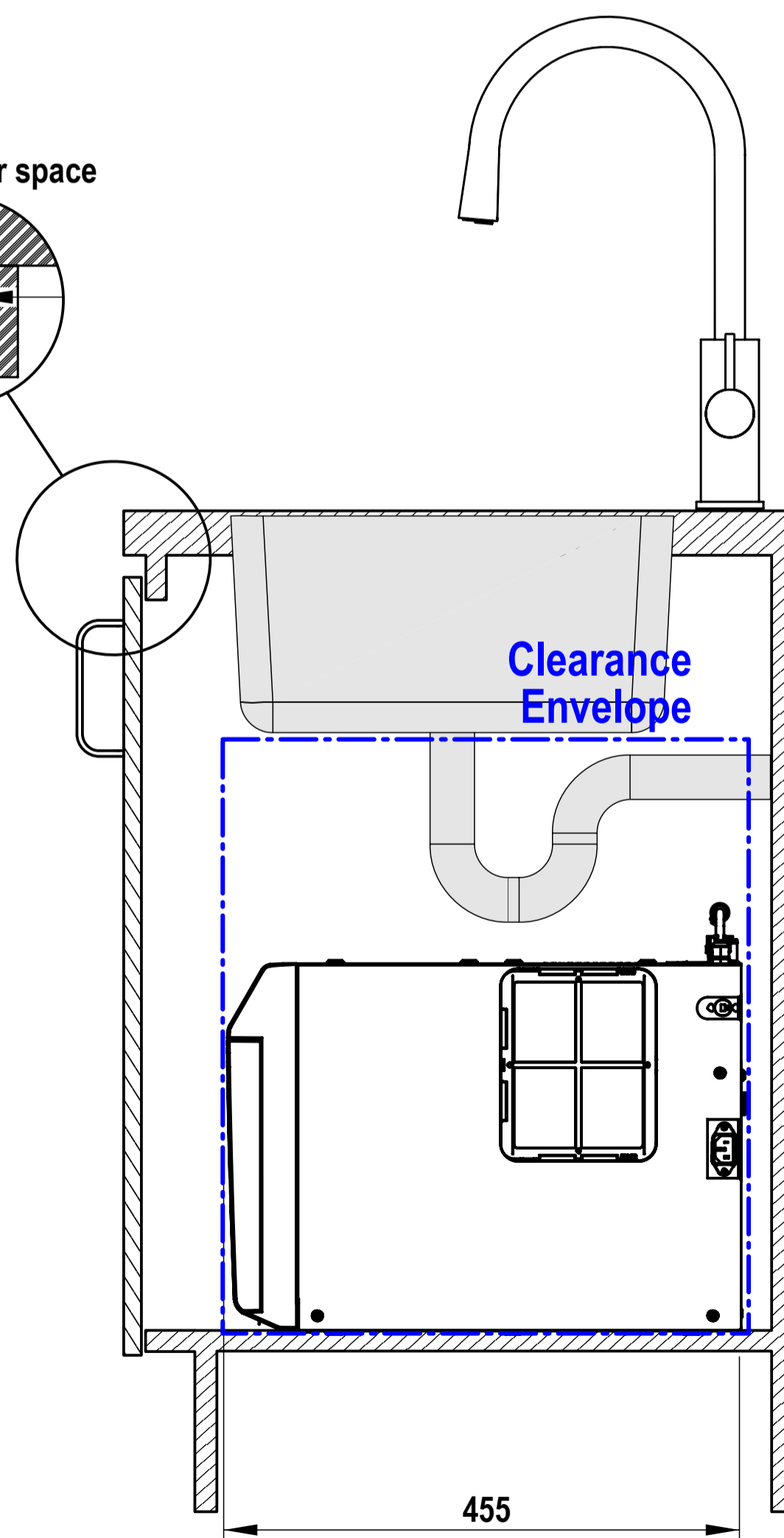
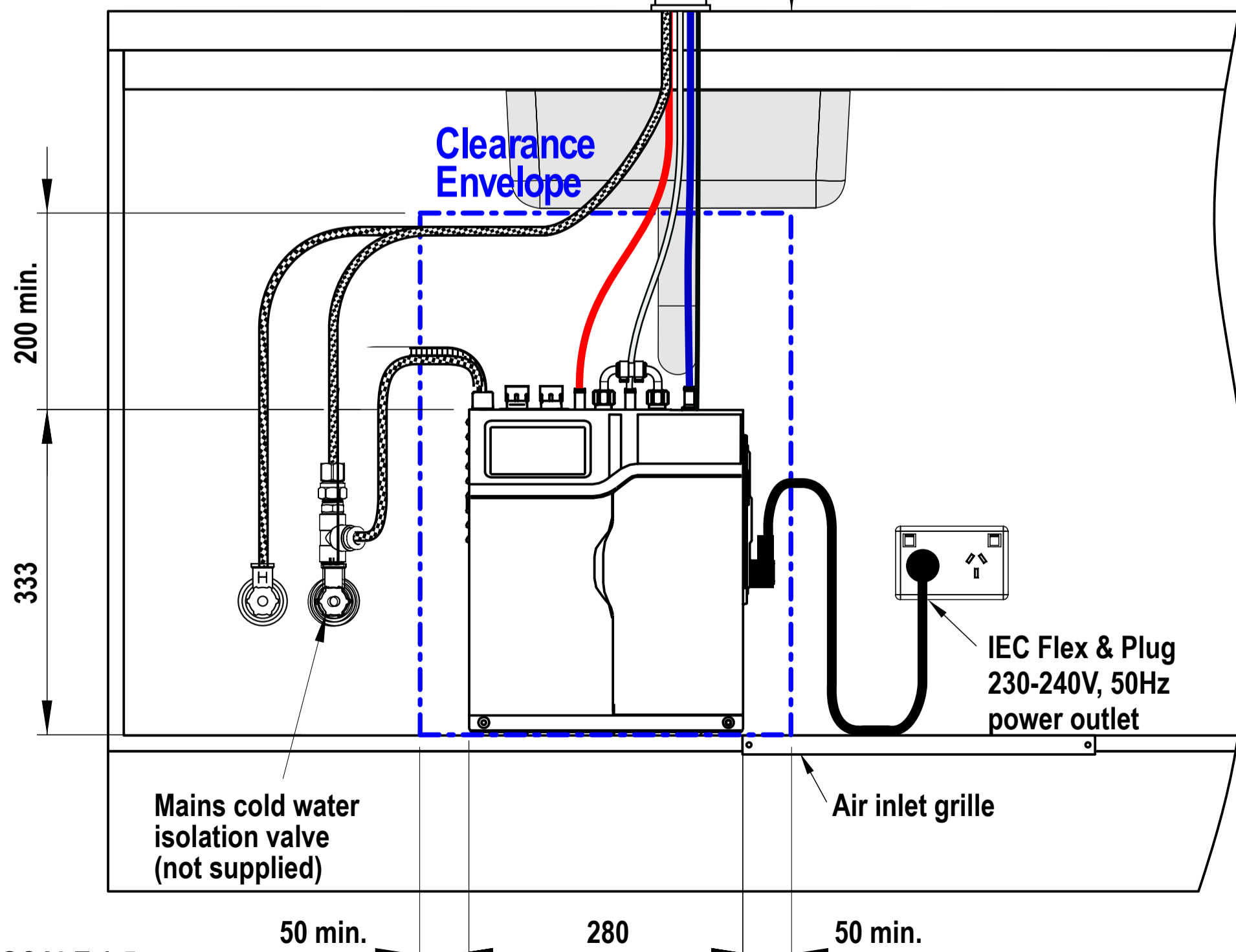
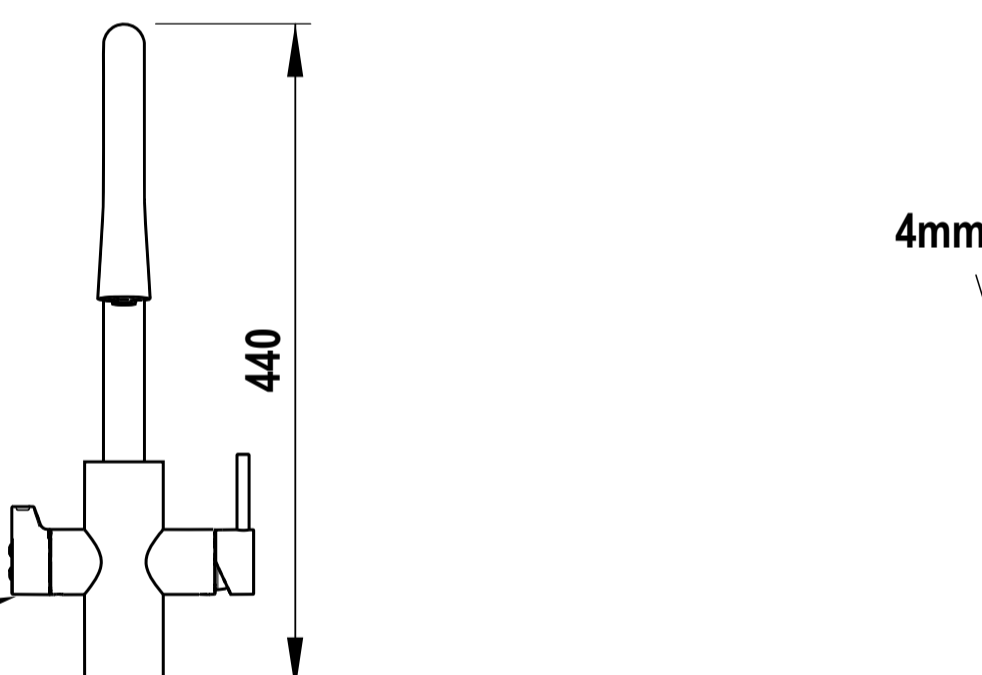
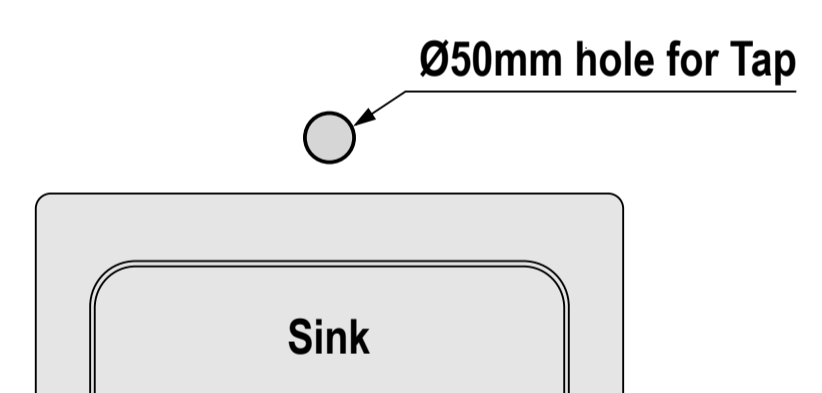


Classic All-in-One Tap



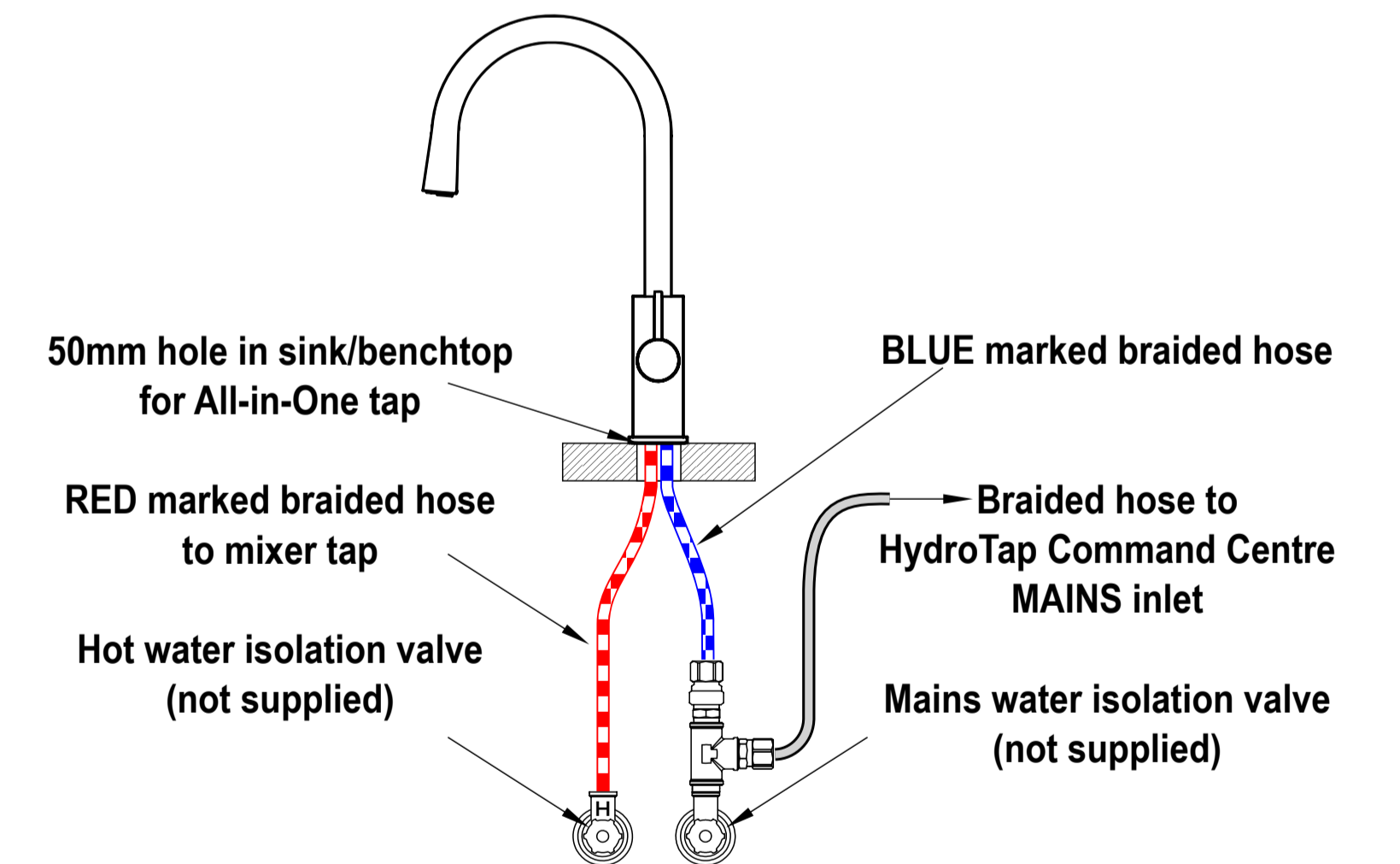
Tap Positioning

Position the Tap to dispense into the sink, allowing clearance for a cup or teapot.



Mains hot water supply installation

Hot and cold water supply required



**HydroTap G5
BC Home, BC20**

shown with Celsius All-in-One Arc Tap