
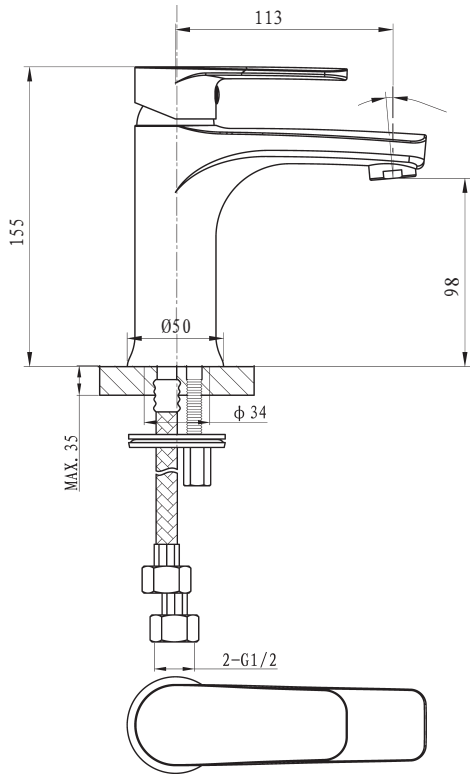




PACE BASIN MIXER

Product Image	Technical Specification
	

Description
<p>Pace Basin Mixer</p> <p>WELS 5 Star / 5Lpm</p> <p>BM222601 Basin Mixer - Chrome BM222601MB Basin Mixer - Matte Black</p>

Additional Information
<ul style="list-style-type: none"> • 35mm European Ceramic Cartridge • Quality PEX Connection Hoses • Superior Flow Regulator • 15 Year Replacement Warranty* <div style="display: flex; justify-content: space-around; align-items: center;">   </div>

