

BOHEMIEN
80, 100


PARISI
BATHWARE

console basin



Manufactured by

simas
ACQUA SPACE

2.23.0

February 2013

console basin



Bohemien 80 and 100 are a console style basin with an elliptical internal bowl. At 80cm and 100cm wide there is an ample side shelf area allowing space for placement of various bathroom accessories.

Code: Bohemien 80 SMBO130/A (NTH)
 SMBO131/A (1TH)

Bohemien 100 SMBO140/A (NTH)
 SMBO141/A (1TH)

Tap Hole Options

0 or 1 tap hole as standard.

Waste Outlet

32mm overflow plug and waste to be ordered separately (see technical data sheets 2.99.0 for options available)

Bowl Capacity

Bohemien 80 - 8 litres to overflow
 Bohemien 100 - 8 litres to overflow.

Overflow

Standard - no overflow.

Installation Instructions

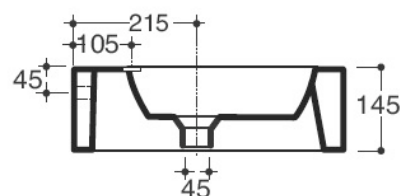
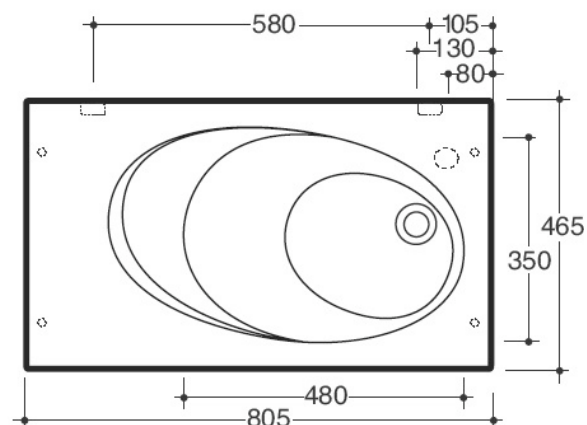
It is recommended that the basin be installed using a flexible sealant, epoxy type glues must not be used, to do so may void product warranty. This basin is **not glazed** at the rear, therefore, it is recommended that it be installed directly against the wall behind.

Colour

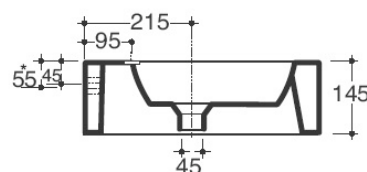
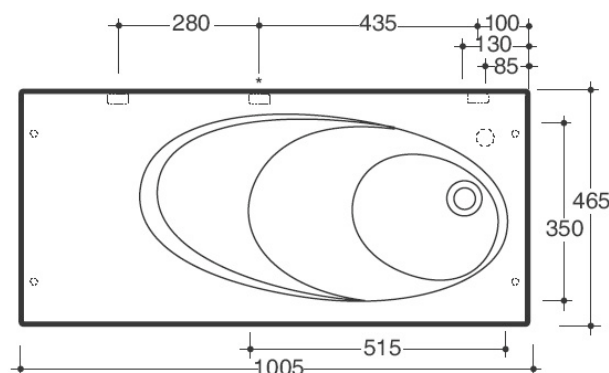
White only.

Packing Details

23 kg (80); 29 kg (100). Supplied in one carton.



SMBO13/A
Bohemien 80



SMBO14/A
Bohemien 100

Manufactured by

