

TOI

TWIN SHOWER / WALL MIXER

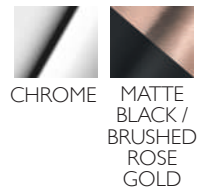
PRODUCT CODE: 108-7920-60
 FINISH: CHROME / MATTE BLACK
 WELS: N/A

INFORMATION:

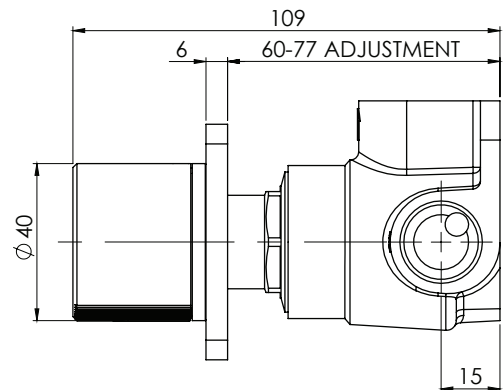
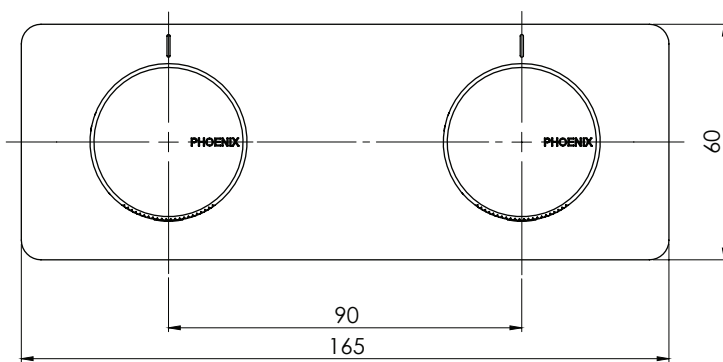
TEMPERATURE RATING: MIN 1° - MAX 75°
 PRESSURE RATING: MIN 150 kPa - MAX 500 kPa



ALSO AVAILABLE IN:



FOR MORE INFORMATION VISIT
www.phoenixtapware.com.au



PLEASE [CLICK HERE TO VIEW FULL WARRANTY](#)

While we aim to ensure the specifications shown are correct at time of printing, Phoenix Tapware reserves the right to make modifications without prior notice. Always use the physical product measurements for mark-ups and roughing-in as the line drawing shown may differ from the actual product over time. All measurements are shown in millimetres.

Toi is a Registered Trademark of Phoenix Industries Pty. Ltd.

V100717

www.phoenixtapware.com.au
 03 9780 4200

TOI

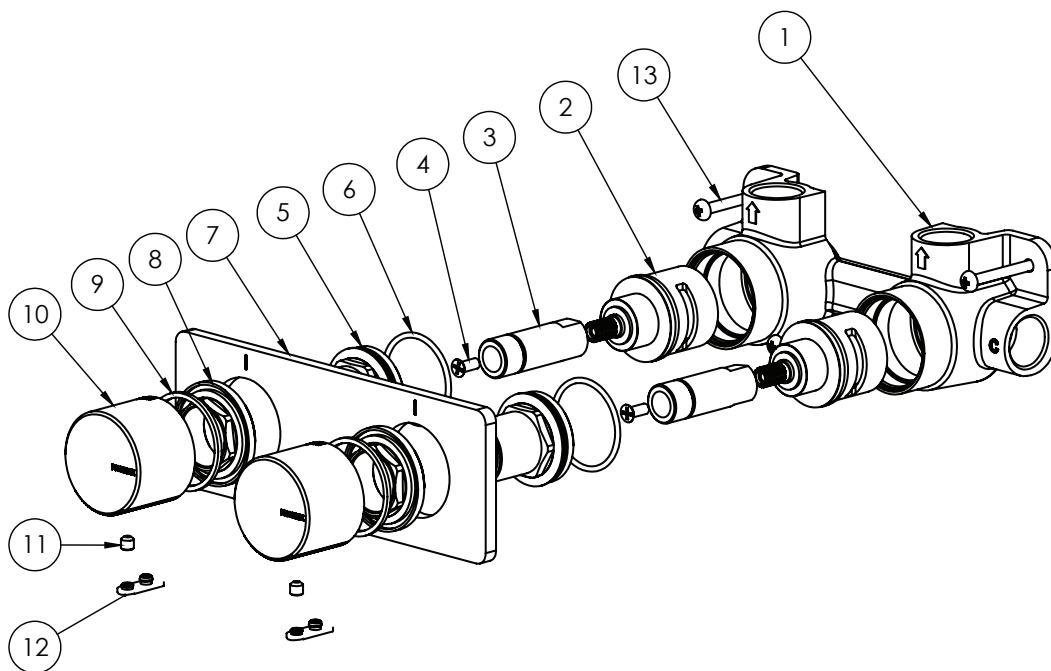
TWIN SHOWER / WALL MIXER

PRODUCT CODE: 108-7920-60
 FINISH: CHROME / MATTE BLACK
 WELS: N/A



PARTS LIST

1. MIXER BREACH
2. 33MM PROGRESSIVE CARTRIDGE
3. SPINDLE EXTENSION
4. SCREW
5. CARTRIDGE LOCKNUT
6. O-RING 32X2.0MM
7. WALL BACKPLATE
8. LOCKNUT
9. HANDLE WASHER
10. HANDLE
11. GRUB SCREW M5X5
12. GRUB SCREW CAP
13. SCREW



MAINTENANCE AND CARE:

- All surfaces should be cleaned with mild liquid detergent or soap and water.
- Do not use cream cleaners or citrus based cleaning products, as they are abrasive.
- Use of unsuitable cleaning agents may damage the surface. Any damage caused in this way will not be covered by warranty.

PACKAGING INCLUDES

- 1 x Twin wall mixer
- 1 x Wall backplate
- 2 x Locknuts & plastic washers
- 2 x Handles
- 1 x Installation kit
- 1 x Installation instructions
- 1 x Warranty card

PLEASE [CLICK HERE TO VIEW FULL WARRANTY](#)

While we aim to ensure the specifications shown are correct at time of printing, Phoenix Tapware reserves the right to make modifications without prior notice. Always use the physical product measurements for mark-ups and roughing-in as the line drawing shown may differ from the actual product over time. All measurements are shown in millimetres.

Toi is a Registered Trademark of Phoenix Industries Pty. Ltd.
 V100717

www.phoenixtapware.com.au
 03 9780 4200