

# QUATR15500IUK5



**BLANCO**



**Model Code**  
QUATR15500IUK5

**Description**  
Single Inset and undermount sink with overflow

**Optional Accessories**  
ANDRAINSS    ANDCUTGCB    BDRAINP  
BUCRBSS      ANDCOLSS      CAPFLOW

**Warranty**  
30 year warranty



## Features

## Benefits

Engineered in Germany

Over 90 years of Stainless Steel know-how make Blanco one of the world leaders in sink manufacturing, which translates to superior products for your home.

18/10 Surgical Grade Stainless Steel

Engineered from surgical grade stainless steel and with Blanco's satin finish, this sink is the ultimate food preparation area.

Inset undermount installation

Flexibility in installation allows you to install it as a undermount or inset sink.

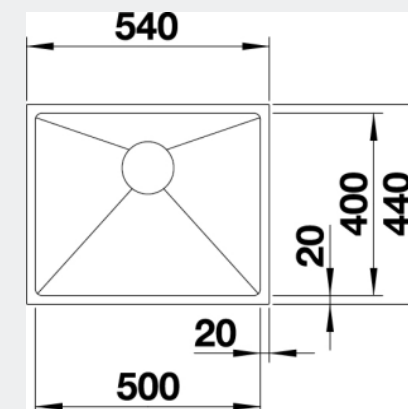
Extra large 40L capacity bowl

Accommodates the largest of baking trays, woks and other bulky kitchen utensils.

Designer waste

No additional cost after purchase.

## Specifications



Method of Installation:	Inset and undermount
Cabinet Size:	60cm
Overall Dimensions:	540w x 440d x 200h mm
Inset Cut-out:	510w x 410d mm (refer to CAD drawing on the website for corner radii)
undermount Cut-out:	500w x 400d mm (refer to CAD drawing on the website for corner radii)
Bowl Capacity:	40 Litres
Standard Inclusion:	Designer wastes and overflow
Tap Hole Supplied:	No
Warranty:	30 years

Note: Measurements are within 2 - 3mm of factory tolerance. It is advisable to check dimensions of physical product when measuring for installations and before doing any cut outs.

\*Due to continual product development the information provided is not final and may be subject to change.