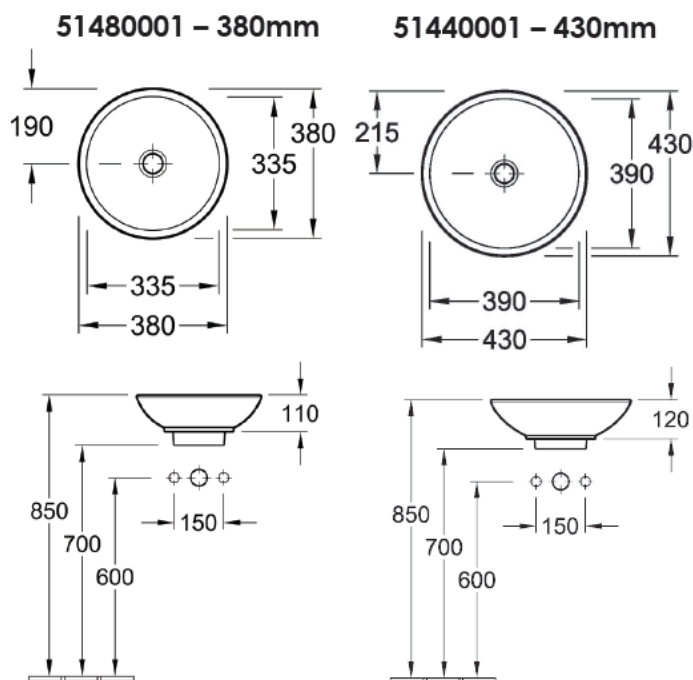




LOOP VESSEL BASIN ROUND LOW PROFILE

Product Image	Technical Specification
---------------	-------------------------



Installation Notes: □ No cut-outs should be attempted in bench top without having the actual Basin/s that are going to be installed. □ Only Silicon based adhesives should be used, not epoxy resins. □ Overflow hole should be positioned closest to the front of the cabinet.

Description	Additional Information
<p>Loop Vessel Basin Round Low Profile</p> <p>51480001 Vessel Basin Round 380mm</p> <p>51440001 Vessel Basin Round 430mm</p>	<ul style="list-style-type: none"> Note Basin Supplied: No taphole with overflow & ceramic waste fitting

