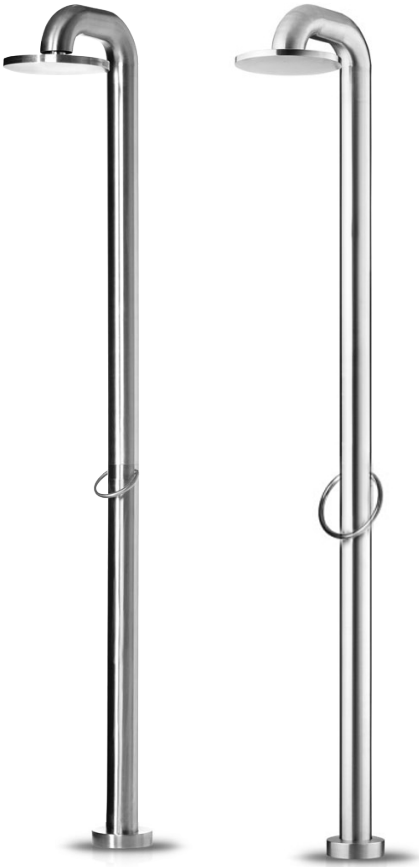
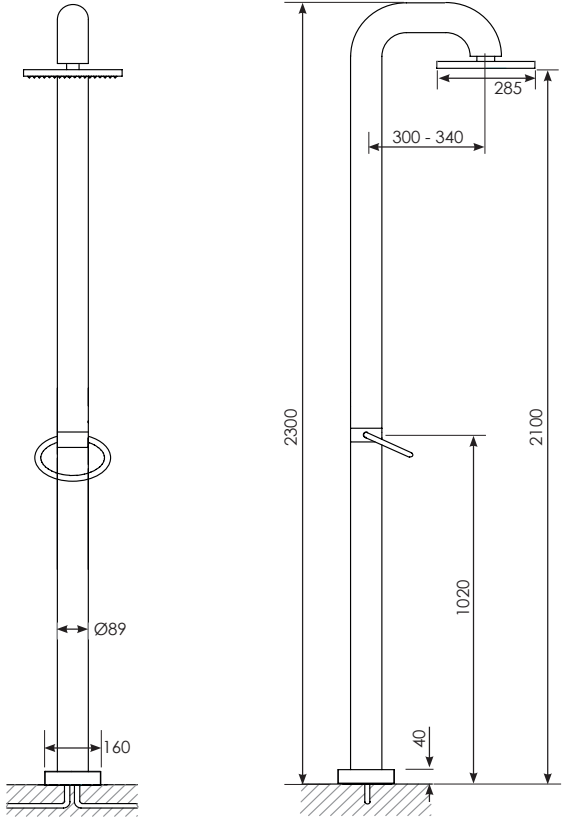




FATLINE FREESTANDING SHOWER

Product Image	Technical Specification
	

Description	
Fatline Freestanding shower 285mm Ø WELS 3 Star/9Lpm	
200-6100B	Brushed Stainless Steel
200-6101B	Polished Stainless Steel

Additional Information
