

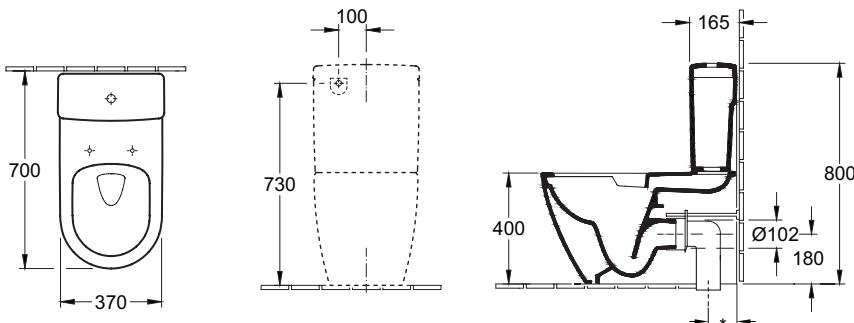


ARCHITECTURA BTW DIRECT FLUSH TOILET SUITE

Product Image **Technical Specification**



TECHNICAL DRAWING TO BE CONFIRMED - INDICATIVE ONLY



Water Entry: Rear water entry requires ½" BSP male thread extending 10mm past the finished wall

*S-Trap Set-out options	Distance from finished wall to centre of soil pipe	Vario Bend required		Installation Notes
Recommended	140mm	50015PNEW	Supplied standard with S-trap Suites	To be cut to required length on-site
Standard Adjustment Range	110-200mm	50015PNEW	Supplied standard with S-trap Suites	To be cut to required length on-site
With extension bend	200-290mm	8702	Order separately with P-Trap Suite	To be cut to required length on-site - Requires installation into DWV pipe (adaptor supplied)

Description

Architectura BTW DirectFlush Toilet Suite with Rear Water Entry & Soft Closing Seat

5691R101S4DB S-Trap
5691R1R1S4DB S-Trap with CeramicPlus
5691R001S4B P-Trap
5691R0R1S4B P-Trap with CeramicPlus

*Available with Slim Seat option

Additional Information

- 5 Year Warranty
*Conditions Apply

Direct Flush

Villeroy & Boch

Ceramic Plus

Villeroy & Boch

Soft Closing

Villeroy & Boch

