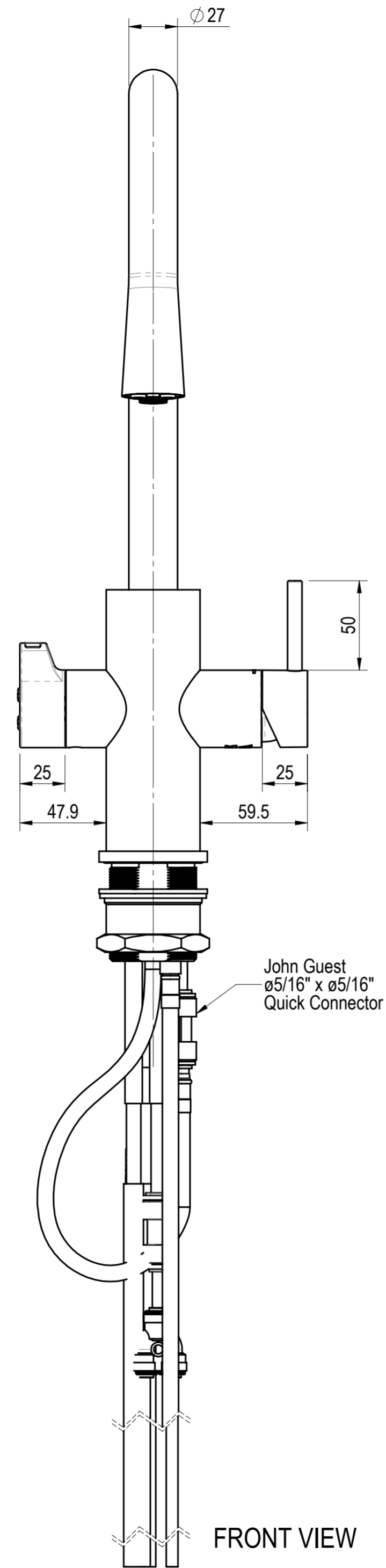
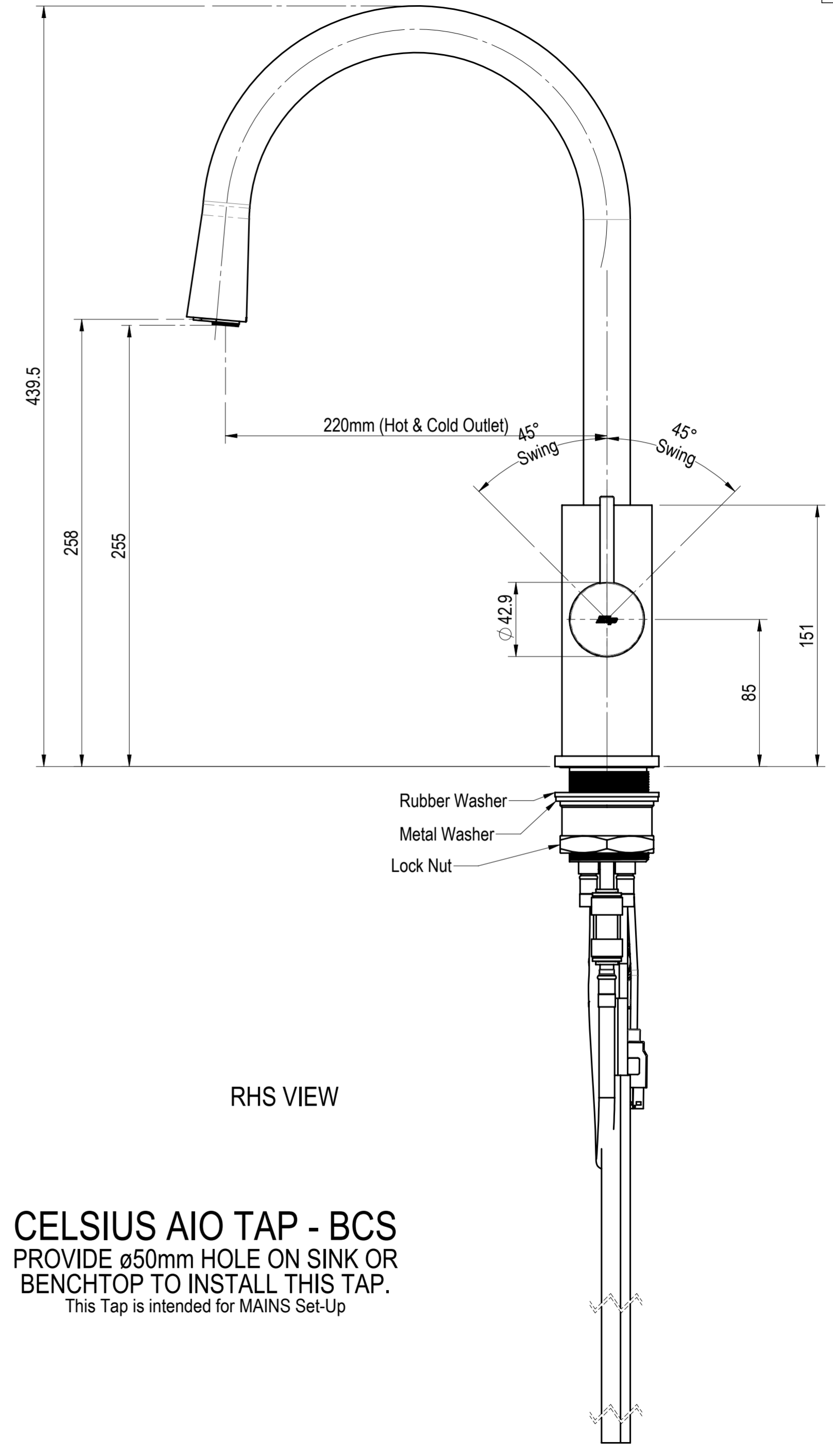


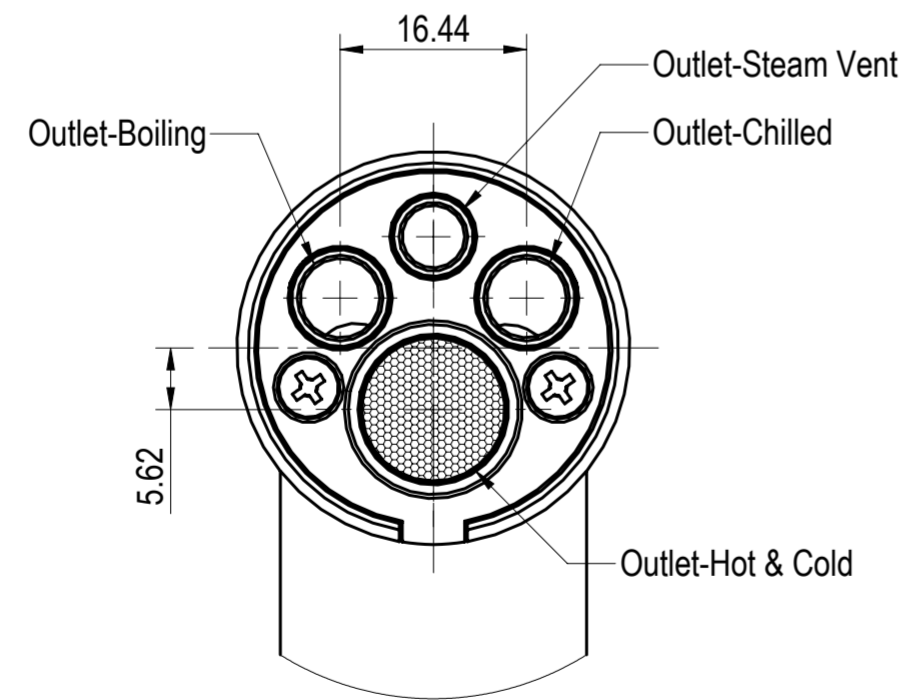
LHS VIEW



FRONT VIEW



RHS VIEW



VIEW UNDER OUTLET NOZZLE

CELSIUS AIO TAP - BCS
 PROVIDE ø50mm HOLE ON SINK OR
 BENCHTOP TO INSTALL THIS TAP.
 This Tap is intended for MAINS Set-Up