

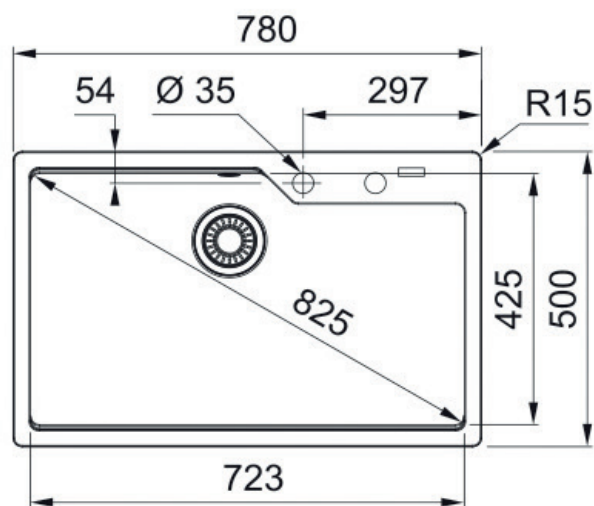
UBG 210-78 PW URBAN FRAGRANITE SINK



NOTE: Flushmount installation requires the minimum benchtop thickness to be 20mm and a 9mm deep recess into the benchtop



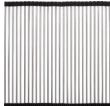


PRODUCT INFORMATION

Installation	Topmount/Flushmount
Dimensions	780(W) x 500(H)mm
Cabinet Base	800mm
Bowl Size	723(W) x 425(H) x 230(D)mm/67L
Bowl Radius	15mm
Cut-Out Size	744 x 464mm, cr=15
Cut-Out Template	No
Waste Outlet	Semi Integrated Waste
Overflow	Yes
Tap Holes	ø35mm
Remote Waste	No
Finish	Fragranite



1 ACCESSORIES AVAILABLE **1** ACCESSORIES INCLUDED

ACCESSORIES

- | | | | | |
|---|---|---|---|---|
| 1
 | 2
 | 3
 | 4
 | 5
 |
| DT 651
Extension Drainer | SB 950
Strainer Bowl | RM 44
Rollamat | DB 664
Drainer Basket | CB 750
Chopping Board |

LAST UPDATED: 15 NOV 2019