



PHOENIX

SPECIFICATIONS

RADII

VESSEL MIXER

PRODUCT CODE: RA790 CHR
 FINISH: CHROME
 WELS: 6 STAR - 3.5 LT/MIN

INFORMATION:

TEMPERATURE RATING: MIN 1° - MAX 75°
 PRESSURE RATING: MIN 150 kPa - MAX 500 kPa

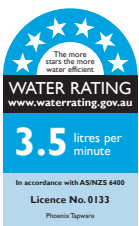
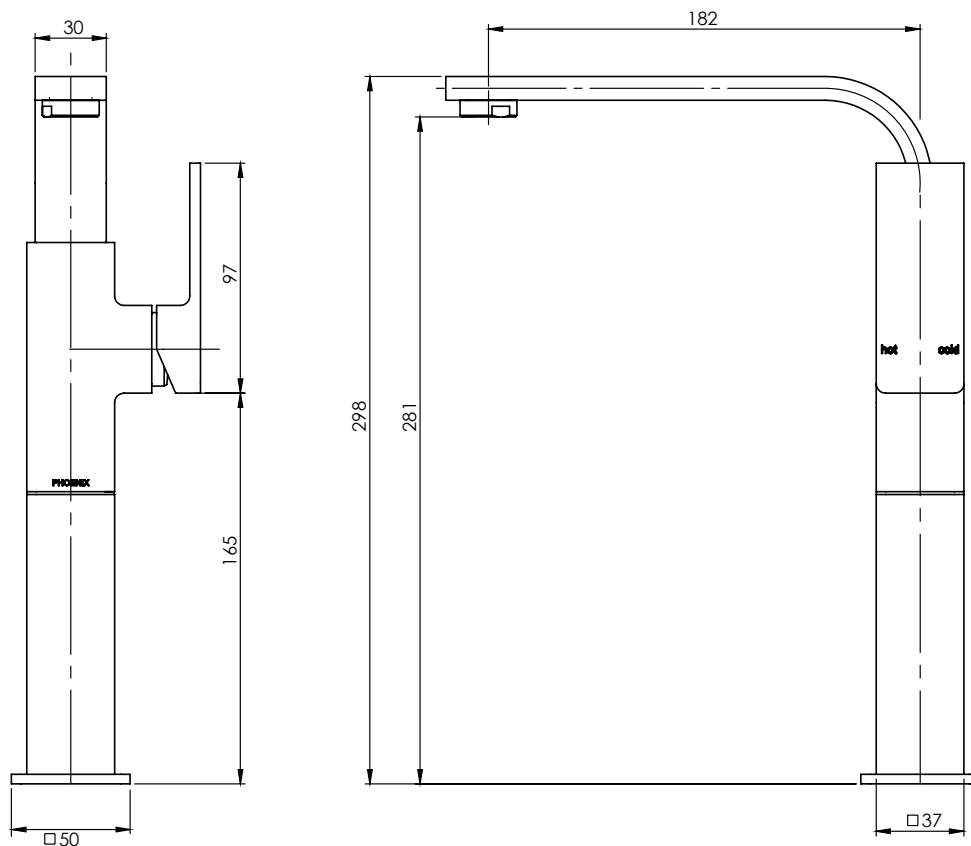


AVAILABLE IN:



CHROME

FOR MORE INFORMATION VISIT
www.phoenixtapware.com.au



PLEASE [CLICK HERE TO VIEW FULL WARRANTY](#)

While we aim to ensure the specifications shown are correct at time of printing, Phoenix Tapware reserves the right to make modifications without prior notice. Always use the physical product measurements for mark-ups and roughing-in as the line drawing shown may differ from the actual product over time. All measurements are shown in millimetres.

Radii is a Registered Trademark of Phoenix Industries Pty. Ltd.

V260318

www.phoenixtapware.com.au
03 9780 4200



PHOENIX

SPECIFICATIONS

RADII

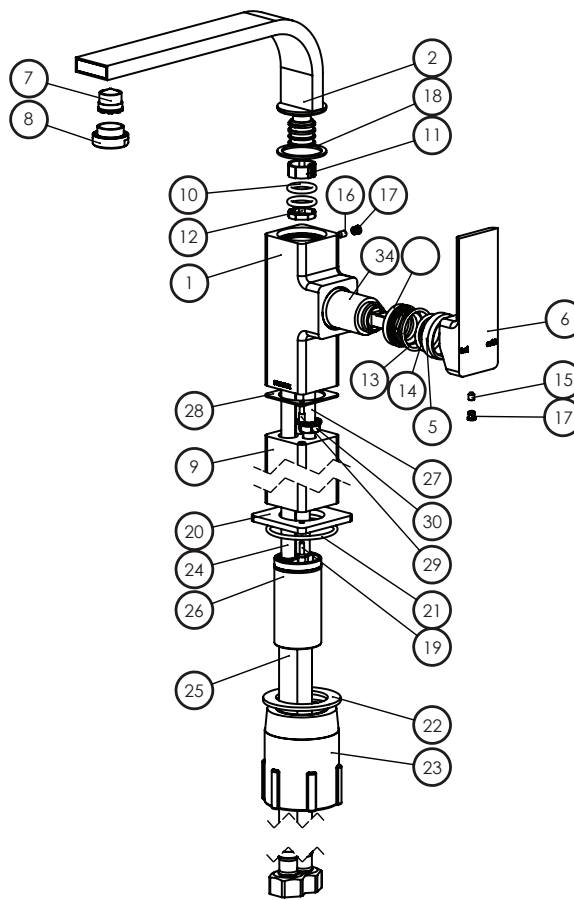
VESSEL MIXER

PRODUCT CODE: RA790 CHR
 FINISH: CHROME
 WELS: 6 STAR - 3.5 LT/MIN



PARTS LIST

1. SINK MIXER BODY
2. L SQUARE SPOUT
3. 25MM CARTRIDGE
4. 25MM MIXER LOCKNUT
5. MIXER DOME
6. SINK MIXER HANDLE
7. AERATOR
8. AERATOR RETAINER
9. BODY EXTENSION
10. O-RING
11. SPOUT BEARING 19MM
12. SHORT SPOUT BEARING 19MM
13. O-RING
14. O-RING
15. GRUB SCREW M4X5
16. GRUB SCREW M4X6
17. RUBBER SCREW CAP M4
18. NYLON RING
19. M3X10 SCREW
20. DRESS PLATE
21. O-RING
22. LOCKNUT GASKET
23. PLASTIC LOCKNUT
24. HOSE EXTENSION 250MM
25. FLEXIBLE HOSE
26. THREADED TAIL
27. M8X75MM THREADED ROD
28. SPACER
29. EXTENSION PIN
30. M8 SERRATED FLANGE LOCKNUT



MAINTENANCE AND CARE:

- All surfaces should be cleaned with mild liquid detergent or soap and water.
- Do not use cream cleaners or citrus based cleaning products, as they are abrasive.
- Use of unsuitable cleaning agents may damage the surface. Any damage caused in this way will not be covered by warranty.

PACKAGING INCLUDES

- 1 x Vessel mixer
- 1 x 450mm braided flexible cold hose
- 1 x 450mm braided flexible hot hose
- 1 x Installation kit
- 1 x Installation instructions
- 1 x Warranty card

PLEASE [CLICK HERE](#) TO VIEW FULL WARRANTY

While we aim to ensure the specifications shown are correct at time of printing, Phoenix Tapware reserves the right to make modifications without prior notice. Always use the physical product measurements for mark-ups and roughing-in as the line drawing shown may differ from the actual product over time. All measurements are shown in millimetres.

Radii is a Registered Trademark of Phoenix Industries Pty. Ltd.

V260318

www.phoenixtapware.com.au
03 9780 4200