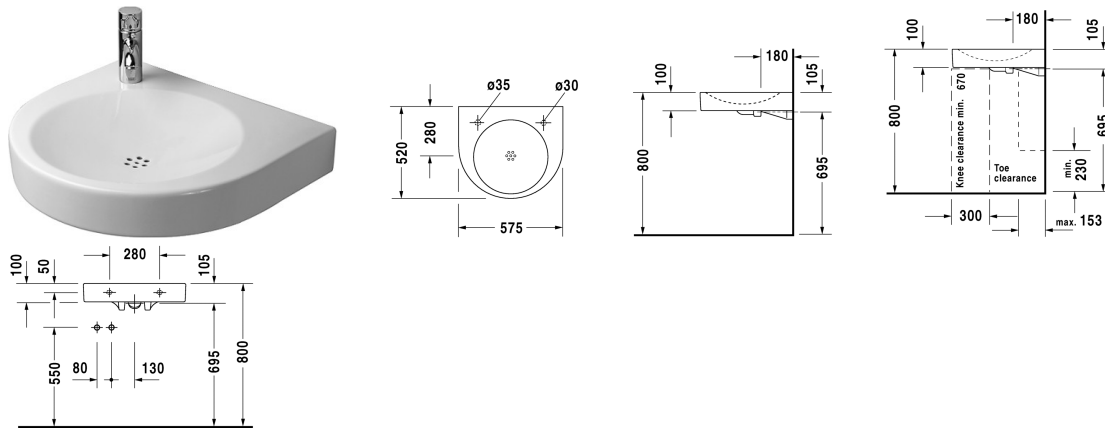


**Architec Washbasin Med # 0443580000 / 0443580008 / 0443580009**

| < 575 mm > |



Washbasin Med	Dimension	Weight	Order number
without overflow, with tap platform, for mounting with in-wall-siphon kit, 575 mm			
<b>Colors</b>			
00 White Alpin			
<b>Variant</b>			
● ● with pre-punched tap hole for tap on left side, with pre-punched hole for soap dispenser on right side	575 x 520 mm	14,000 kg	0443580000
● tap hole on right side	575 x 520 mm	14,000 kg	0443580008
● tap hole on left side	575 x 520 mm	14,000 kg	0443580009
<b>Text for invitation of tenders</b>			
Barrier-free according to DIN 18040-1 and DIN 18040-2			
Sanitary ceramics with the special WonderGliss surface finish will remain clean and attractive-looking for a long time to come. When ordering WonderGliss please add a "1" as eleventh digit to the model number.			
<b>Accessory</b>			
In-wall-siphon kit for washbasin Architec, including connection equipment		0,600 kg	005044
Drain cover		0,100 kg	005043

All drawings contain the necessary measurements which are subject to standard tolerances. They are stated in mm and are non-binding. Exact measurements, in particular for customised installation scenarios, can only be taken from the finished ceramic piece.