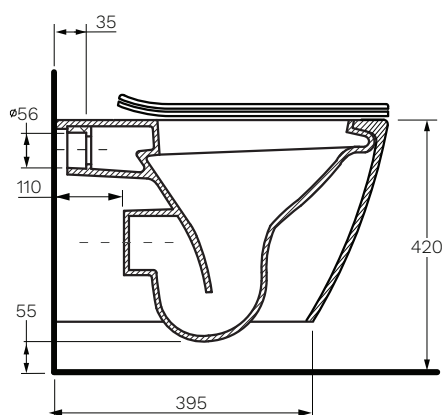


Ellisse MK II Wall Hung Pan

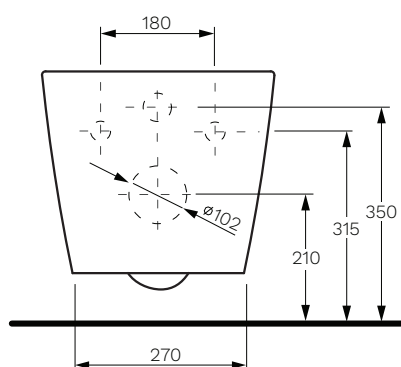
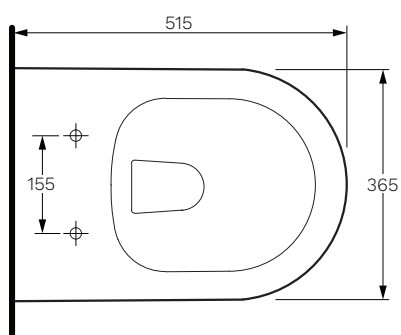
Product Code: PN620

The innovative design of the Parisi Ellisse MKII Wall Hung Pan with RIMLESS technology projects water rather than the traditional flushing mechanism where water pours down the rim. Through the powerful delivery of water and open rim design, maximum cleaning of the inner bowl is achieved.



Specifications

- Colour / Finish** — White / Gloss
- Material** — Ceramic
- Rim Type** — PARISI Rimless
- Seat Type** — Soft Close / Slim Heavy Grade / Easy Lift-off / UV Resistant / Antibacterial (PN5745)
- Surface Hygiene** — Easy Clean Antibacterial Protection
- Dimensions** — 365 x 515 x 365mm
- P Trap** — 210mm Height FFL
- Water Inlet** — Back Inlet 350mm Height FFL
- WELS** — 4 STAR 4.5/3L 3.3L Average Flush
- Cistern Options** — Compatible with Concealed Cisterns (PA120, PA121, PA140, PA141)
- Button Options** — Compatible with Push Button Panels and Remote Button Sets (PA221 - PA265)
- Pan Fixing** — WB9N (Included)
- Warranty** — 10 Years
1 Year on Seat



PARISI



RIMLESS

