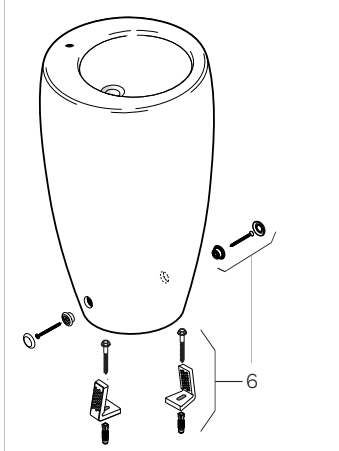
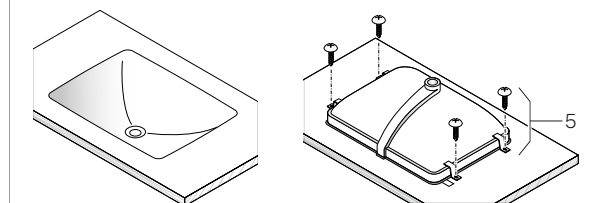


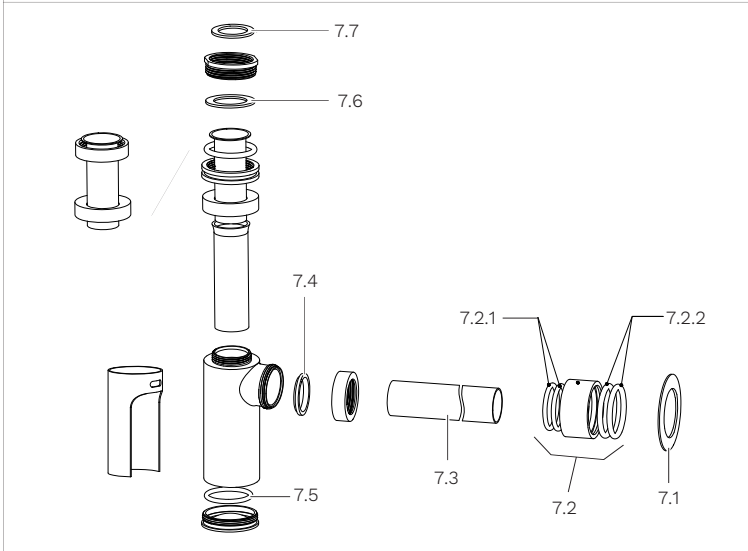
FREE STANDING BASIN - FIXING KIT



UNDERCOUNTER BASIN - FIXING KIT



7). TA13240 (BOTTLE TRAP WITH SHROUD) & TA23240 (BOTTLE TRAP WITHOUT SHROUD)



#	Part code	Description	Qty
1.1	TA40-1	Plug with O-ring for TA4032 Waste	1
1.2	TA32-1	Plug with O-ring for TA3240 Waste	1
2	TA32-2	Mechanism for TA3240 & TA4032 Waste	1
3	O/FCVR	Overflow Cover Ring	1
4	WFB100	Wall Fixing Bolts (Pair)	1
5	UCB150	Undercounter Brackets (set of 4)	1
6	PW9043	Pan to Floor Fixing kit (Pair)	1
7.1	SP.TA001	Wall Back Plate for Bottle Trap	1
7.2	SP.TA002	Wall Adaptor incl. O-Rings for Bottle Trap	1
7.2.1	SP.TA003	O-Ring Small to suit Wall Adaptor for Bottle Trap (Pair)	1
7.2.2	SP.TA004	O-Ring Large to suit Wall Adaptor for Bottle Trap (Pair)	1
7.3	SP.TA005	Outlet Pipe for Bottle Trap (Dia. 38 mm x 350mm)	1
7.4	SP.TA006	Waste Pipe Seal for Bottle Trap	1
7.5	SP.TA007	O-Ring for Base of Bottle Trap	1
7.6	SP.TA008	Washer for 40mm Connection on Bottle Trap	1
7.7	SP.TA009	Washer for 32mm Connection on Bottle Trap	1