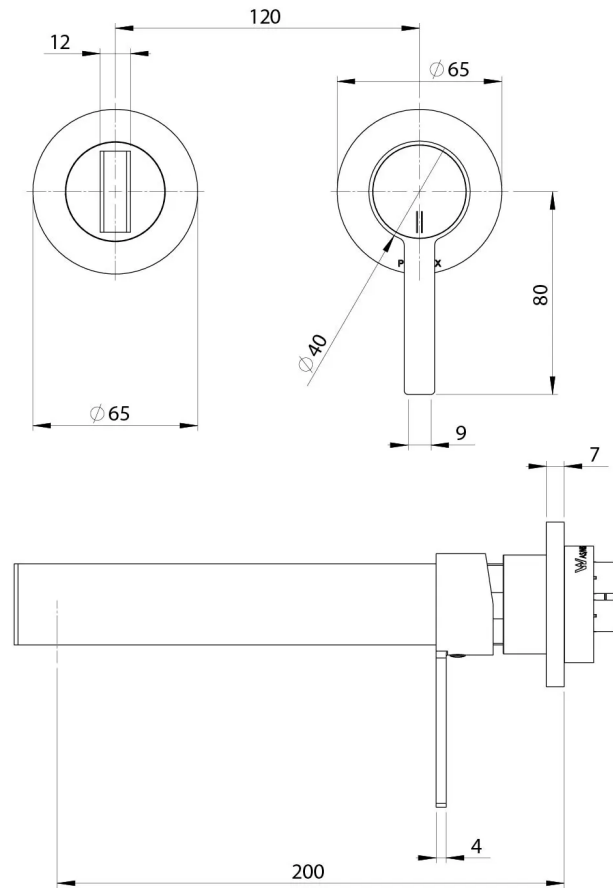


# LEXI MKII

## LEXI MKII SWITCHMIX WALL BASIN MIXER SET 200MM FIT-OFF KIT

## SPECIFICATIONS



### AVAILABLE IN



123-2812-00  
Chrome



123-2812-40  
Brushed Nickel



123-2812-10  
Matte Black

### INFORMATION

Temperature Rating  
1 - 75°C

Pressure Rating  
150 - 500kPa

### MAINTENANCE AND CARE:

- All surfaces should be cleaned with mild liquid detergent or soap and water.
- Do not use cream cleaners or citrus based cleaning products, as they are abrasive.
- Use of unsuitable cleaning agents may damage the surface.
- Any damage caused in this way will not be covered by warranty.

Please visit <https://www.phoenixtapware.com.au/warranty> to view the full warranty