

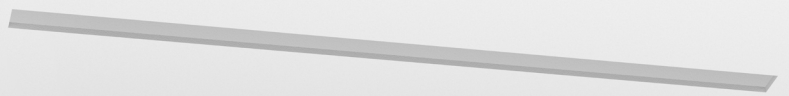
Shadowline Slot Diffuser

expella™

Flangeless ceiling grille

1SLD1000S

The Shadowline Slot Diffuser is a discreet, flangeless internal ceiling grille that allows air to be channelled through ventilation or air conditioning systems. The low profile diffuser is designed to blend with the ceiling, is easy to install and can be cut to any length.



Manufacturer:

expella™

Warranty:

5 years

Features and Benefits:

- Aluminium profile designed for optimal airflow and efficiency with a powder coated finish
- Creates unique ceiling detail – set into the ceiling for seamless and discreet look
- Cut to length to suit any length
- Shadowline Diffuser creates a rigid structure that secures the ceiling sheet
- Multiple fixing options using clip in fasteners and is compatible with Rondo suspended ceilings
- Low profile for restricted ceiling space
- Designed and assembled in Australia

Options:

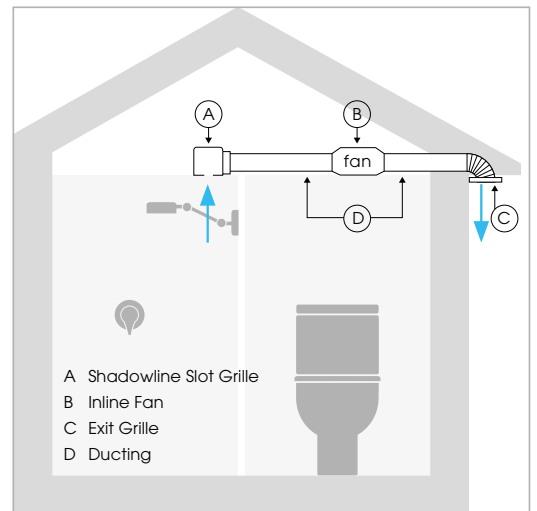
- Extension kit (1 metre lengths)
- Insulated option for ducted air conditioning systems

Shadowline Slot Diffuser

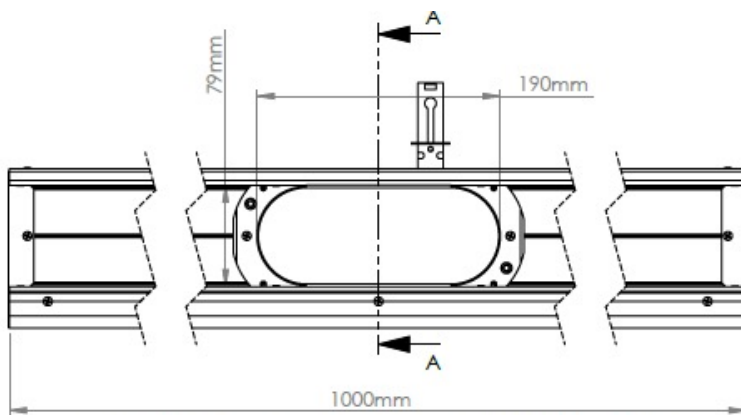
Flangeless ceiling grille

Applications and Installation:

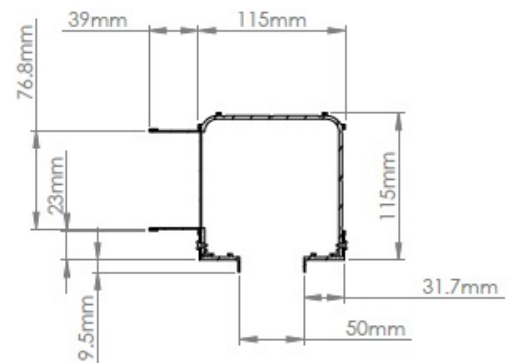
- Suitable for supply and exhaust applications
- To be used in conjunction with an inline fan such as the AXCTP (recommended) and ducting
- Suitable for interior applications including: bathrooms, laundries and general kitchen ventilation
- Can be installed by a home handyman or industry professional (electrician or airconditioning installer)



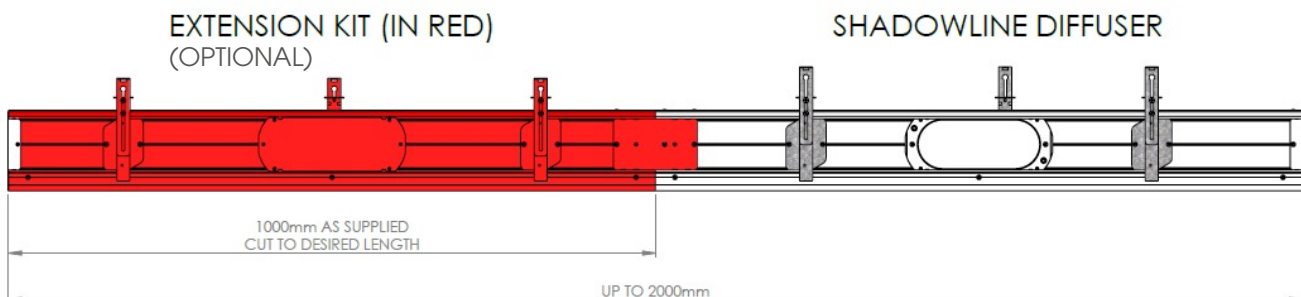
Product detail:



CUSTOMER CAN CUT TO LENGTH, MINIMUM 600MM



SECTION A-A



Shadowline Slot Diffuser

Flangeless ceiling grille

Performance:

